

YONGNUO DIGITAL

YN14EX 微距闪光灯 MACRO RING LITE 使用说明书 USER MANUAL

在使用本产品之前, 请通读本手册, 以确保您能安全使用, 然后保存好本手册以备将来参考。



English 中文

书钉: 采用不锈钢材质

正面

反面

正面

反面

一、警告

- 请勿让本产品淋雨或受潮, 以免发生火灾或触电。
*处理电池时, 请将电池的触点包裹好以避免短路, 并遵守当地有关处理电池的规定。
*请勿将电池或容易吞食的东西远离儿童存放, 如果误吞了物体, 请立即与医生联系。
*不要靠近或直视闪光灯使用闪光灯元件, 否则有可能对人体视网膜造成伤害。
*不要对需要高度注意力的人使用闪光灯, 否则有可能引发安全事故。
*如果发生以下情况, 请立即取出电池并停止使用:
*本产品跌落或受到强烈冲击, 使产品的内部短路。
*电池内部腐蚀性液体泄漏, 此时应带手套取出电池。
*产品发出奇怪的气味, 发热或冒烟。
*请勿自行拆卸或维修本产品, 如果接触产品内部的高压电路, 可能会触电。
*长时间不使用本产品时, 请取出所有电池。

-1-

二、产品特点

- *支持TTL闪光
*支持曝光补偿、曝光包围、后帘同步、曝光锁定、佳能相机菜单访问。
*环式双灯微距闪光灯
*支持闪光灯, 可以调整闪光管A和B的闪光比或让一个闪光灯管闪光, 这样可以在被摄体上造成阴影, 使照片更加具有雕刻的效果。
*大尺寸LCD显示屏
*大尺寸LCD显示, 可更清晰、更直观地查看及设置闪光功能, 使用更便捷。
*LED对焦辅助灯
*高亮LED对焦辅助灯, 对焦更轻松。
*配备PC同步接口
*YN14EX配备了标准PC同步口, 使您更便于使用PC同步线让闪光灯同步闪光。
*支持多种滤镜尺寸的镜头
*支持滤镜尺寸为52mm, 58mm, 67mm, 72mm的镜头。

-2-

三、快速策略

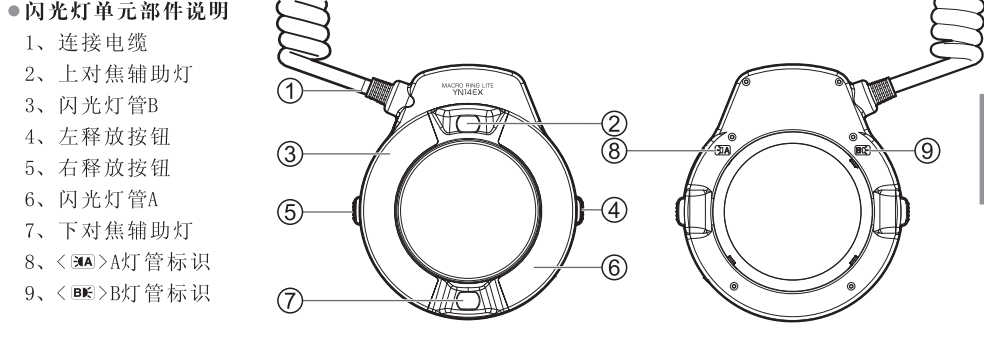
- 如果您没有时间阅读本说明书, 请阅读本手册内容。
1. 请避免最大输出功率的过度使用, 可有效延长本产品的使用寿命。
(进入过热保护时, 建议将闪光灯间隔5分钟以上)
2. 您可以通过按各按钮观察显示屏内容的变化, 了解其各自功能。
3. 短按【ON】点亮显示屏背光, 长按【ON】开启或关闭声音提示; 短按【MODE】切换TTL/闪光模式; 短按【RATIO】进入设置闪光比, 长按【RATIO】切换后帘同步; 短按【LAMP/Fn】开启或关闭对焦灯, 长按【LAMP/Fn】进入自定义功能设置。
4. 按【左】【右】【上】【下】按钮可在当前模式下快速调整闪光灯参数, 有些参数需要按中央的【OK】按钮才能进行设置。

-3-

四、部件说明

四、部件说明 (请认真阅读本部分, 让您快速熟悉本产品功能)

闪光灯单元



闪光灯单元说明

- 1. 连接电缆
2. 上对焦辅助灯
3. 闪光灯管
4. 左释放按钮
5. 右释放按钮
6. 闪光灯罩A
7. 下对焦辅助灯
8. <左>灯管标识
9. <右>灯管标识

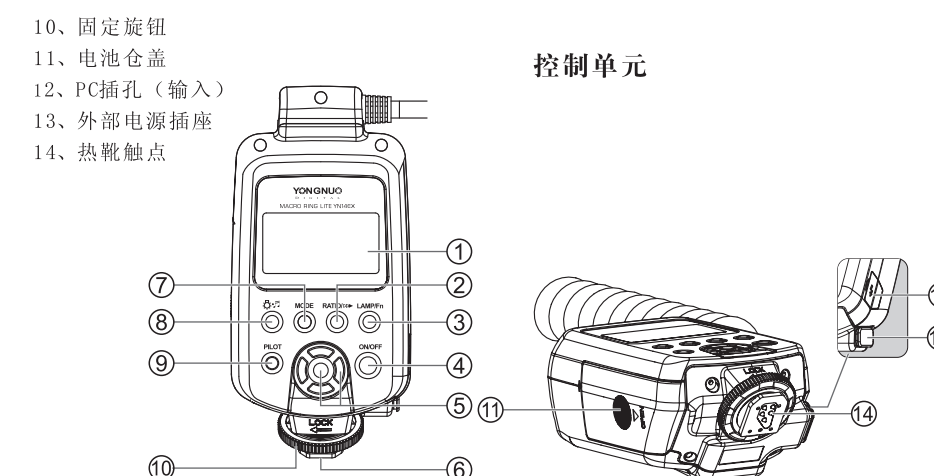
-5-

控制单元

- 1. LCD液晶显示屏: 显示闪光灯的所有功能及运用设置过程, 方便用户查看、快捷设置。
2. 【RATIO】: 短按设置闪光比, 长按约2秒进入设置后帘同步闪光切换。
3. 【LAMP/Fn】: 短按开启/关闭对焦辅助灯, 也可在自定义Fn 08选项设置半按快门自动点亮。
4. 电源开关【ON/OFF】: 长按开关约2秒可以开启或关闭闪光灯的电源。
5. 背光灯/声音按钮【ON】: 短按此按钮可以开启或关闭液晶显示屏背光; 按下此按钮约2秒, 将开启或关闭闪光灯声音提示功能。
6. 充电指示灯/测试按钮【PILOT】: 亮红灯表示充电完成, 可以进行闪光; 亮绿色表示处于充电状态; 按下该按钮【PILOT】闪光灯将发出测试闪光。
7. 外部电源插座
8. 热靴触点
9. 固定旋钮
10. 电池仓盖
11. PC接口 (输入)
12. 外接电源插座
13. 外部电源插座
14. 热靴触点

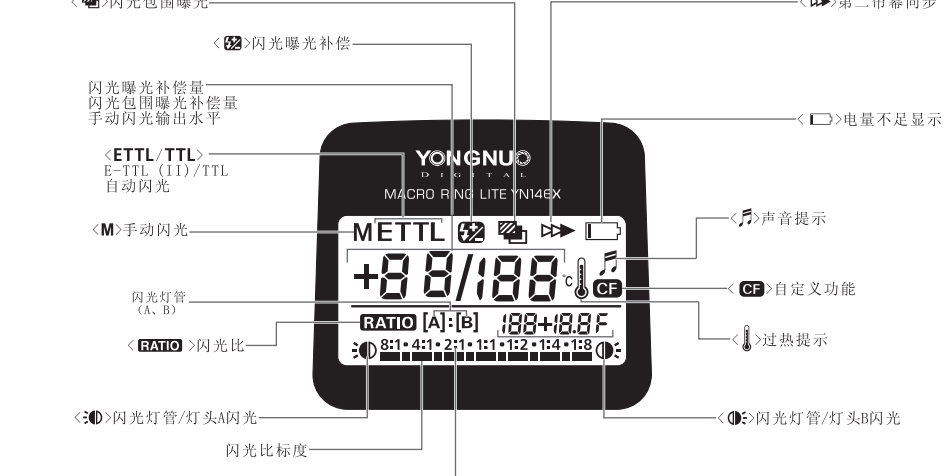
-6-

控制单元



-7-

液晶显示屏



-8-

五、产品安装

- *安装电池
1. 按箭头所示方向滑动【电池仓盖】将其打开。
2. 将电池仓中贴纸的指示安放电池, 确保电池的正负极触点朝向正确。
3. 按箭头所示方向滑动【电池仓盖】将其关闭。
*将控制单元安装到相机上
1. 按箭头所示方向转动【固定旋钮】到最高点。
2. 将控制单元的【热靴座】完全推入相机热靴。
3. 按箭头所示方向转动【固定旋钮】拧紧。

-9-

六、基本操作

- *安装闪光灯
1. 使用与镜头滤镜直径相同规格的转接环, 将转接环旋紧在镜头滤镜镜座上。
2. 按下闪光灯单元上的释放按钮, 安装到镜头前端的转接环上。
*产品的自带转接环尺寸为52mm, 58mm, 67mm, 72mm。
*本微距闪光灯专为微距镜头设计, 非微距镜头在对焦时镜头可能会转动, 建议在使用非微距镜头时, 使用手动对焦(MF)。
*自动对焦可能会损坏您的镜头。

-10-

闪光灯模式

- 1. 闪光灯模式按钮【MODE】: 短按此按钮, 闪光灯将在TTL/M之间切换。
2. 【RATIO】: 短按设置闪光比, 长按约2秒开启后帘同步闪光切换。
3. 【LAMP/Fn】: 短按开启/关闭对焦辅助灯, 也可在自定义Fn 08选项设置半按快门自动点亮。
4. 【ON/OFF】: 长按开关约2秒可以开启或关闭闪光灯的电源, 也可在自定义设置选项Fn E里更改为快速开关机。

-11-

闪光灯设置

- 1. 闪光灯设置按钮【ON】: 短按此按钮可以开启或关闭液晶显示屏背光; 按下此按钮约2秒, 将开启或关闭闪光灯声音提示功能。
2. 充电指示灯/测试按钮【PILOT】: 亮红灯表示充电完成, 可以进行闪光; 亮绿色表示处于充电状态; 按下该按钮【PILOT】闪光灯将发出测试闪光。
3. 电源开关【ON/OFF】: 长按开关约2秒可以开启或关闭闪光灯的电源, 也可在自定义设置选项Fn E里更改为快速开关机。

-12-

【充电指示灯】状态含义

Table with 3 columns: 【充电指示灯】状态, 含义, 处理方法. Rows include: 亮红灯 (闪光灯充电完成), 亮绿灯 (闪光灯充电未完成), 绿灯闪烁 (电池电量不足).

-13-

【声音提示】状态含义

Table with 3 columns: 声响方式, 含义, 处理方法. Rows include: 嘀声 (声音开关打开), 嘀一声 (回电未完成), 嘀一声长响 (闪光灯充电完成).

-14-

【闪光灯设置】设置闪光比

- 1. 长按【ON/OFF】按钮可以开启或关闭闪光灯电源, 可在自定义设置项内设置快速开关, 推荐通过该按钮关闭闪光灯电源之后再取出电池。
2. 开启闪光灯电源后, 【充电指示灯】亮红灯, 表示可以进行闪光。
3. 若电池电量不足时, 充电时间超过20秒仍不充满, 【充电指示灯】亮绿灯, 液晶显示屏显示电量不足图标, 闪光灯将自动关机, 此时需要更换新电池。
4. 您可以通过按【PILOT】按钮来测试闪光是否正常。
5. 使用完毕后, 长按【ON/OFF】按钮即可关闭电源。

-15-

【闪光灯设置】闪光灯包围

- 1. 短按【MODE】按钮至ETTL模式。
2. 按【RATIO】按钮显示【RATIO】: A/B。
3. 设置闪光比, 按【左】或【右】按钮从1:1-1:16中选择数值, 选择最左端或最右端的设置时, 只会显示一个闪光灯管。

-16-

【闪光灯设置】FEI 闪光曝光锁

- 使用FEI 闪光曝光锁, 您可以为场景的任何部分锁定正确的闪光曝光读数。液晶显示屏显示ETTL时, 按相机的【FEI】按钮, 如果相机没有【FEI】按钮, 请按<左>按钮。
1. 对被摄体对焦, 按【FEI】按钮, YN14EX将进行预览, 并且将被摄体所需的闪光输出保留在内存中。FEI将在取景器上显示0.5秒。
2. 每次按【FEI】按钮, 闪光灯将进行预览并更新闪光曝光锁读数。

-17-

【闪光灯设置】闪光灯曝光补偿

- 您可以设置普通曝光补偿一样为闪光灯设置曝光补偿。
1. 按【左】或【右】按钮, 可以在±3档以内以1/3档为增量调节闪光曝光补偿量。
2. 要取消闪光曝光补偿时, 将其设置为“0”, 显示界面不出现<左>图标。

-18-

【闪光灯设置】闪光灯包围曝光

- 相机在±3档以内以1/3档为增量自动进行闪光包围曝光连续拍摄3张照片, 这称为闪光灯包围曝光。
1. 按【MODE】按钮至ETTL模式。
2. 按【左】按钮出现Fb-0.3 / Fb-0.7 / Fb-1.0 / Fb-3.0 根据需要进行包围量。
3. 可在自定义设置选项Fn 04里设置包围曝光的顺序“00”/“01”。

-19-

【闪光灯设置】第二帘同步

- 使用快速快门, 您可以在被摄体后创建一条光线轨迹, 在快门关闭的瞬间向闪光灯闪光。
1. 开启第二帘同步, 按【RATIO】按钮约2秒, 以显示<左>图标。
2. 取消第二帘同步, 按【RATIO】按钮约2秒, <左>图标消失。
*相机的“BULB”模式非常适合与第二帘同步一起使用。

-20-

【闪光灯设置】C.Fn 设置自定义功能

- 利用自定义功能, 您可以按照自己的摄影喜好自定义YN-14EX的功能。
1. 按下【LAMP/Fn】按钮约2秒, 进入C.Fn模式。

-21-

【闪光灯设置】自定义功能编号

- 1. 按【左】【右】选择自定义功能编号。
2. 按【上】【下】选择参数。

-22-

【闪光灯设置】自定义功能列表

Table with 3 columns: C.Fn, 编号, 功能及设置说明. Rows include: Fn 01 (on/off), Fn 03 (on/off), Fn 04 (00/01), Fn 08 (on/off), Fn 20 (on/off), Fn E1 (0ff/03/05/10/30/60).

-23-

【闪光灯设置】自定义功能列表

Table with 3 columns: C.Fn, 编号, 功能及设置说明. Rows include: Fn E2 (on/off), Fn E3 (07/15/30/off), Fn E4 (on/off).

-24-

六、故障排除指南

Table with 3 columns: 故障, 原因, 处理方法. Rows include: 闪光灯不闪光, 闪光灯曝光不足或过度, 电源自动关闭, 在相机上面无法取下控制单元。

-25-

七、产品规格

Table with 3 columns: 规格, 微距环形闪光灯YN14EX, 类型: 用于近距摄影的自动环形闪光灯. Rows include: 线路设计, 闪光覆盖范围, 闪光模式, 发光次数, 色温, 外部接口, 闪光灯单元体积, 附加功能。

-26-

本说明书电子版可在http://www.yongnuo.com/usermanual/download/index.htm获取

本使用说明书中的功能是根据本公司的测试条件获得的。设计和规格如有变更, 恕不另行通知。本说明书的术语 (YONGNUO) 商标是深圳市永诺摄影器材股份有限公司在中国和其他国家(地区)的注册商标或商标。其他所有商标均为其各自所有者所有。

-27-

【闪光灯设置】自定义功能列表

Table with 3 columns: C.Fn, 编号, 功能及设置说明. Rows include: Fn 01-Fn 20, Fn E1-Fn E4.

-28-

正面

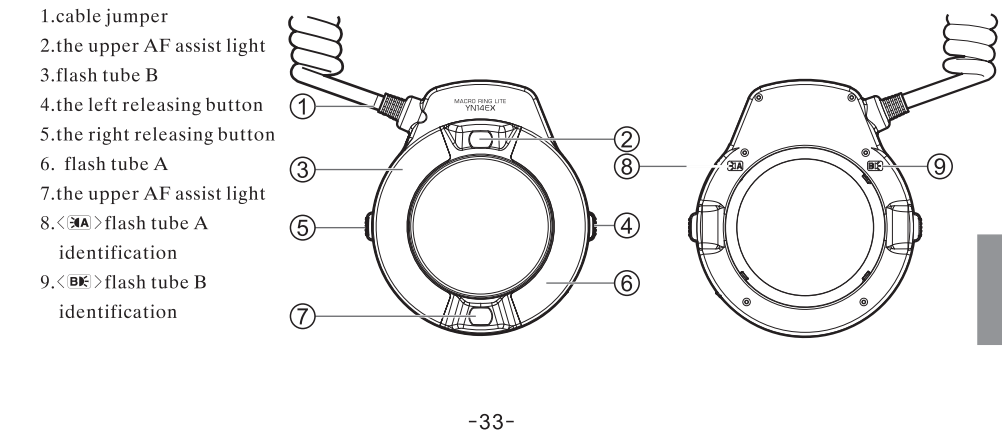
I.Warning

- To avoid fire or electrical shock, do not expose this product to rain or moisture.
To avoid short circuit, please ensure the batteries are securely packed and in accordance with local provisions when handling the battery.
Please place the batteries and the parts which can be swallowed mistakenly away from children. Contact a doctor immediately when it occurs.
To avoid possible injury to eyes, do not use the flash light in a short distance from the eyes.
Do not disassemble or maintain this product. Touching the internal high voltage circuit will cause electric shock.
Please take out the batteries and stop using immediately in case of below:
This product is dropped or shocked seriously and the inner part of the product is bared.
If the battery leaks corrosive liquids, please take out the battery with gloves.
The product gives off strange smell, heats or smokes.
Do not disassemble or maintain this product. Touching the internal high voltage circuit will cause electric shock.
Please take out all the batteries if not use this product for a long time.

-29-

IV.COMPONENTS DESCRIPTION (Please familiar with this part carefully, allowing you to quickly familiarize with the product features)

COMPONENTS DESCRIPTION of the Flash Unit



-33-

V.Installation

- Battery Installation: Slide the Battery chamber cover in the direction of the arrow. Insert the batteries according to the label inside battery chamber and make sure the direction of the batteries' polarity is correct.
Attaching the Control Unit to the Camera: Rotate the fixed knob to the top in the direction of the arrow. Slip the control unit hot shoe stand into the camera hot shoe stand until it stops. Turn the locking ring in the direction of the arrow tight.

-37-

Meaning of [Charging Indicator]

Table with 3 columns: Status of Charging Indicator, Meaning, Handling Method. Rows include red light (fully charged), green light (not fully charged), and blinking green light (low battery).

-41-

FEL Flash Exposure Lock

- Use FEL flash exposure lock, you can lock the correct flash exposure readings for any part of the scene. Press the [FEL] button when the LCD displays <ETTL>.
If the subject is too far away, it will cause underexposure, the icon will blink on the viewfinder.
Please close to the subject and then try to use the Flash Exposure Lock.
If the LCD is not display <ETTL>, it could not set the flash exposure lock.
If the subject too small, the flash exposure lock may not with sufficient effect.

-45-

C.Fn Set the Custom Function

- Using the custom function, you can set the custom function of YN14EX according to your preferences. Press the [LAMP/Fn] button for about two seconds to enter into the C.Fn mode.

-49-

VI.Troubleshooting guide

Troubleshooting table with columns: Fault, Cause, Handling Method. Issues include flash not working, underexposure, and power shut down.

-53-

WARRANTY CARD form with fields for user name, address, product model, and purchase date.

背面

II.Features

- SUPPORTS MASTER TTL FLASH: Supports exposure compensation, FEB, Rear-curtain sync, FE lock, Modeling Light, Canon camera menu accessible.
RING TYPE DOUBLE LAMP MACRO FLASH: Supports flash ratio, and the flash tube A and B can be adjusted together or individually.
LARGE-SIZE LCD DISPLAY: Equipped with large-size LCD display, the flashing function can be checked and set more clearly.
LED AF ASSIST LIGHT: High brightness LED focus assist light to allow focus more easily.
EQUIPPED WITH PC SYNC INTERFACE: YN14EX equipped with standard PC synchronous interface which allows you convenient to use synchronous flash by using PC synchronous line.
SUPPORT THE LENS OF MULTIPLE FILTER SIZE: Supports the lens of the following filter size: 52mm, 58mm, 67mm, 72mm.

-30-

Component Description of the Control Unit

- LCD screen display all functions and application settings of the speedlite, convenient for examination and quick setting.
[RATIO] button: short press the flash ratio, long press about 2 seconds to enter into the switch of front/rear-curtain sync.
[LAMP/Fn] button: short press to turn on/off the AF assist light, and you can also custom the Fn (8 option settings) to automatically turn on the light when half pressing the shutter.
Power switch [ON/OFF]: Press this button for about 2 seconds to turn on or off the power of speedlite.
Selection setting button: including the [Left], [Right], [Up], [Down] and central [OK] button. The [Left] and [Right] button can set exposure compensation, output power, flash ratio. The [Up] and [Down] button can set brightness fine-tuning, exposure bracketing; press the [OK] button to switch the flash tube A/B in the RATIO state of M mode.
Hot shoe stand
Flash mode button [MODE]: the flash mode will switch between TTL and M when short pressing the button.
Backlight/sound switch [On/Off]: short press the button to turned on or off LED backlight; and sound prompt function of the speedlite shall be turned on or off by pressing this button for about 2 seconds.
Charge indicator/Test button [PILOT]: Red lamp indicates charging is completed and flash can work; green lamp indicates charging is being on, and press this button [PILOT], the speedlite will emit test flash.

-34-

Install the Flash unit

- Use the transfer with the same diameter of the lens filter, tighten the adapter ring on the screw thread of lens filter.
Press the release button of flash unit and install it on front of the adapter ring.
The size of adapter ring equipped with the product: 52mm, 58mm, 67mm, 72mm.
The macro flash is designed for macro lens, so the lens may turned when the non-macro lens focusing. It is recommended use manual focus (MF) when using the non-macro lens.
Auto focus may damage your lens.

VI.Basic Operation

- The Operation of the Button: Backlight/Sound button [On/Off]: short press the button to turn on/off the LCD backlight; and press the button for about 2 seconds turn on/off the sound prompt function.

-38-

Power on/off

- Long press the [ON/OFF] button to turn on/off the flash, it can be also changed to fast turn on/off through the custom setting. It is suggested turn off the speedlite through the button and then take out the batteries.
After turning on the speedlite, the charging indicator is on red light, which indicates the speedlite is available.
When in low battery, if the charging is not completed within 20 seconds, the [Charging indicator] will blink with green light; the LCD panel will display the icon of low battery, and the speedlite will auto power off, indicating it need to replace new batteries.
You can press the [PILOT] button to test if the speedlite works normally.
After use, turn off the speedlite by long pressing the [ON/OFF] button.

ETTL Mode

- The ETTL mode, the metering system of this camera will detect the flash illumination reflected back from the object so as to automatically adjust the flash output. Supports exposure compensation, FEB, Rear-curtain sync, AE lock, and CANON camera menu access and etc.
You can set the exposure compensation for flash by pressing the [Left] and [Right] buttons. The flash exposure compensation amount can be set up within the range of ±3EV in 1/3-stop precision.

-42-

Flash exposure compensation

- It can be set the flash exposure compensation like setting common exposure compensation.
Press the [LEFT] / [RIGHT] button, can be regulated the flash exposure compensation with the precision of 1/2 EV within the range of ±3EV.
If you want to cancel the exposure compensation, set it to "0", the screen does not show icon.

Flash Bracket Exposure

- The camera with the precision of 1/3 EV in range of ±3 EV and automatically bracket exposure to continue shooting 3 photos, which is called flash bracket exposure.
Press the [MODE] button to ETTL mode.
Press the [UP], Fb=0.3/Fb=0.7/Fb=1.0/.../Fb=3.0 displayed, then you can set up the bracket exposure as needed.
It can be set the subsequence of Bracket Exposure through custom setting option Fn 04, "00"/"01".

-46-

Press the [LEFT] and [RIGHT] buttons to choose custom function number.

- Press the [UP] and [DOWN] buttons to choose parameters.
Press the [OK] button to save and exit.

-50-

VII.Specification

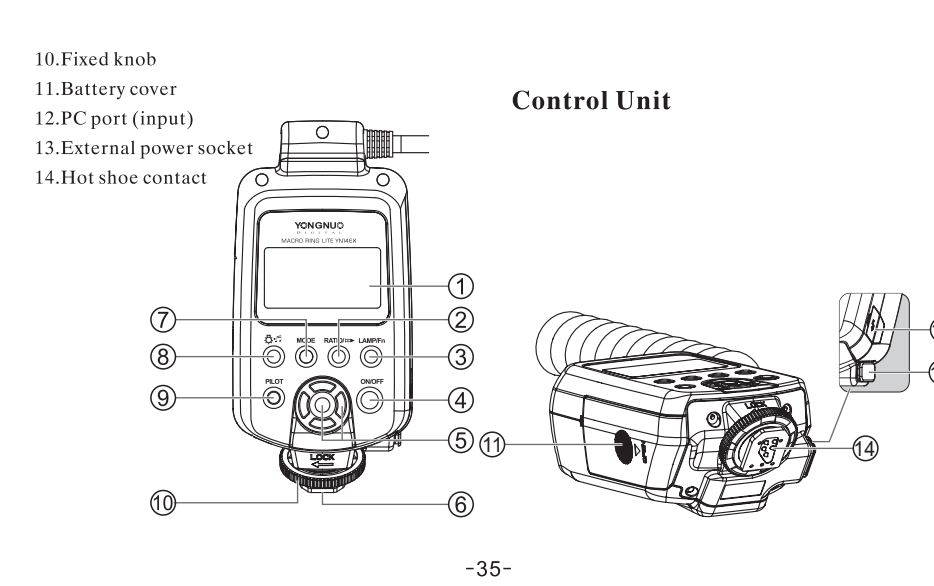
Specification table with columns: Specification, Macro Ring Flash YN14EX, Type, Automatic annular flash for macro shots. Includes details on circuit design, flash coverage, flash mode, lighting times, color temperature, external interface, and flash unit dimensions.

-54-

正面

- SOUND PROMPT SYSTEM: When the sound prompt system is enabled, different sound modes will prompt different working conditions of the speedlite so as to allow you to focus on shooting process.
HIGH SPEED RECYCLING SYSTEM: The recycling time for full output just takes 3 seconds; you can get high speed current return experience even without using brand new batteries, which will only takes 4-5 seconds.
PROVIDED WITH EXTERNAL POWER SOCKET: YN14EX is provided with external power socket to meet your higher demand of recycling time and no longer missing the wonderful moments.
AUTOMATIC SETTINGS SAVING: YN14EX can automatically save your current operating settings to convenient your next use.

-31-



-35-

- Flash mode button [MODE]: short press the button to switch the flash mode TTL/M.
[RATIO] button: short press the button to set the flash ratio, long press about 2 seconds to enter into the switch of front/rear-curtain sync.
[LAMP/Fn] button: short press to turn on/off the AF assist light, and you can also custom the Fn (8 option settings) to automatically turn on the light when half pressing the shutter.

-39-

Set the Flash Ratio

- It can adjust the flash ratio of tube A and B or just make one flash tube work. It can create shadow on the subject to make the photo with engraving effect. The flash ratio can be regulated with the precision of 1/2 EV within the range of 8:1—1:1-1:8.
Press the [MODE] button to ETTL mode.
After turning on the speedlite, the LCD panel will display [RATIO] A/B.
Set the flash ratio, press the [LEFT] or [RIGHT] button to choose value from 8:1—1:1—1:8. When choosing the leftmost end or the right end to set, it will only light one flash tube.

-43-

- In the process of bracket exposure, please set the camera's driving mode to single shoot. And please make sure the preparation of flash.
When use the flash exposure together with flash exposure compensation, FEB will take photo according to the flash exposure compensation.
After taking 3 photos, the Bracket Exposure will be cancel automatically.
The second curtain sync: Use slow shutter, you can create a light trails behind the subject. The speedlite will flash on the moment of shutter closing.
Enable the second curtain sync, press the [RATIO] button for about 2 seconds until the icon shows.
Cancel the second curtain sync, press the [RATIO] button for about 2 seconds until the icon vanishes.
The camera's "BULB" mode is suitable for use with the second curtain sync.

-47-

Table with columns: C.Fn, Number, Function and Setup Instructions. Lists custom functions Fn 01 through Fn E1.

-51-

Update version of this manual can be got form http://www.yongnuo.com/usermanual/download/index.htm. The functions of this manual are based on test conditions of our company. Further notice will not be given if the design and specifications change.

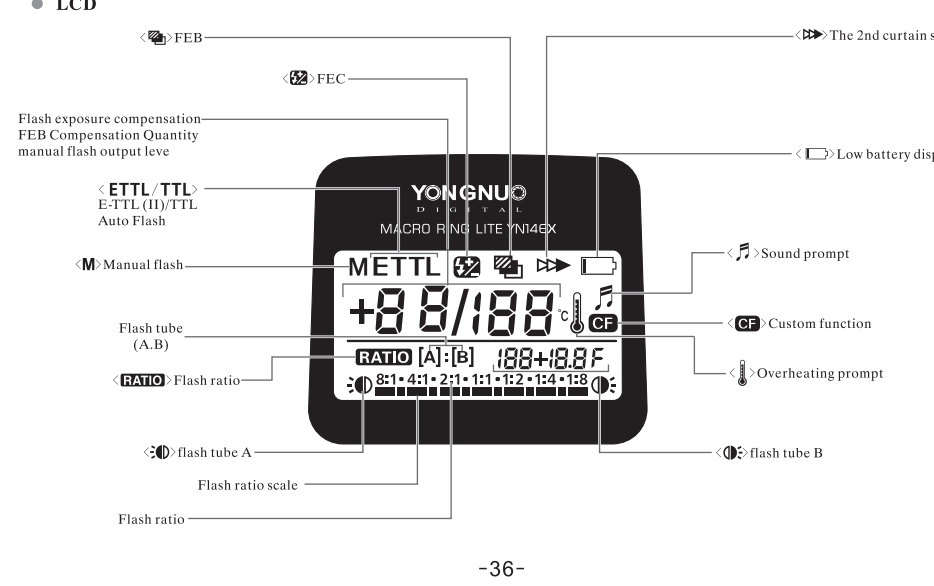
-55-

背面

III.Quick Guide

- Please read this section if you do not have time to browse the whole manual.
Please avoid the excessive use of the output with maximum power. It can effectively extend the service life of this product.
You can operate the respective buttons and observe the changes of the displayed content to understand their respective functions.
Short press the [OK] button to turn on the screen background light. Long press the [OK] button to turn on/off the SOUND PROMPT; short press the [MODE] button to switch mode TTL/M mode; short press the [RATIO] button to enter the setting of flash ratio, long press the [RATIO] button to switch the front/rear-curtain sync; short press the [LAMP/Fn] button to turn on/off the AF Assist Light, long press the [LAMP/Fn] button to enter custom function settings.
Press the [UP], [DOWN], [LEFT] and [RIGHT] buttons can quickly adjust the parameters of speedlite at the current mode. For some parameters, some parameters need to press the central [OK] button to set.

-32-



-36-

- Selection setting button including the [Left], [Right], [Up], [Down] and [OK] buttons. The [Left] and [Right] buttons are used to set the exposure compensation, flash output and flash ratio parameters; the [UP] and [DOWN] buttons are used to set fine brightness adjustment and bracket exposure; the [OK] button is used to adjust output power of A/B tubes.
Charging Indicator/Test button [PILOT]: the red light indicates fully charged and can be used; the green light indicates in the charging state. The flash will emit the testing flash when pressing the button [PILOT].
Power Switch [ON/OFF]: Long press about 2 seconds to turn on/off the power of flash. It can be also changed to fast turn on/off through the custom setting options Fn E2.

-40-

- The A tube lit when only show icon, while the B tube lit when only show icon.
In flash ratio mode, it can be pressed the [OK] button to switch the flash exposure compensation adjustment. If without operation for 10 minutes, it will automatically return to the flash ratio regulation mode, or press the [OK] button to return the flash ratio regulation.
Due to the automatic exposure control, there is no need to calculate the exposure if the speedlite in M mode, please refer to the <M Manual flash exposure> section.
If taking photo without display [RATIO] A/B, the flash tube A and B will transmit the flash with same flash output.

-44-

- M Manual Exposure: You can set the flash output between full power 1/1 and 1/64, with the precision of whole grade.
You can use one of the following three ways to make the flash work: Method 1, A and B with the same flash output.
Press the [MODE] button to M mode.
Press the [LEFT] / [RIGHT] or [UP] / [DOWN] buttons to adjust the output power.
Method 2, A and B with different flash output.
Press the [MODE] button to M mode.
Short press the [RATIO] button to display the [RATIO] A/B icon.
Press the [OK] button to switch A/B output power.
Press the [LEFT] / [RIGHT] or [UP] / [DOWN] buttons to adjust the output power.

-48-

Table with columns: C.Fn, Number, Function and Setup Instructions. Lists custom functions Fn E2 through Fn E4.

-52-

Fn 01-Fn 20 options are consistent with the options on Canon camera menu. YN14EX can be set through the camera.
Fn E1-E4 can only set on YN14EX.

-56-

QR codes and contact information for YONGNUO, including website, Weibo, and address in Shenzhen.