



正面

反面

正面

反面

I.Warning

- To avoid fire or electrical shock, do not expose this product to rain or moisture.
- To avoid short circuit, please ensure the batteries contacts are securely packed and in accordance with local provisions when handling the battery.
- Please place the batteries and the parts which can be swallowed mistakenly away from children. Contact a doctor immediately when it occurs.
- To avoid possible injury to eyes, do not use the flash light in a short distance from the eyes.
- To avoid possible safety accident, do not use the flash light on the people who need a high degree of attention.
- Please take out the batteries and stop using immediately in case of the below:
  - This product is dropped or shocked seriously and the inner part of the product is bared.
  - If the battery leaks corrosive liquids, please take out the battery with gloves.
  - The product gives off strange smell, heats or smokes.
- \*Do not disassemble or maintain this product. Touching the internal high voltage circuit will cause electric shock.
- \*Please take out all the batteries if not use this product for a long time.

-30-

II.Features

- SUPPORTS MASTER TTL FLASH**
  - Supports Exposure Compensation, FEB, Rear-curtain sync, FE lock, Modeling Light, camera menu accessible.
- Macro Flash**
  - Supports flash ratio and the flash tube A and B can be adjusted together or individually, which can create shadow on the subject to make the photo with engraving effect.
- LARGE-SIZE LCD DISPLAY**
  - Equipped with large-size LCD display, the flashing function can be checked and set more clearly and visually which will be more convenient for use.
- LED AF ASSIST LIGHT**
  - High brightness LED focus assist light to allow focus more easily.
- EQUIPPED WITH PC SYNC INTERFACE**
  - YN24EX is equipped with standard PC synchronous interface which allows you convenient to use synchronous flash by using PC synchronous line.
- SUPPORT THE LENS OF MULTIPLE FILTER SIZE**

-31-

● SOUND PROMPT SYSTEM

When the sound prompt system is enabled, different sound modes will prompt different working conditions of the speedlite so as to allow you to focus on shooting process (Note: the sound can be turned off).

● HIGH-SPEED RECYCLING SYSTEM

The recycling time for full output just takes 3 seconds; you can get high speed current-return experience even without using brand new batteries, which will only takes 4-5 seconds.

● PROVIDED WITH EXTERNAL POWER SOCKET

YN24EX is provided with external power socket to meet your higher demand recycling time and no longer missing the wonderful moments.

● AUTOMATIC SETTINGS SAVING

YN24EX can automatically save your current operating settings to convenient your next use.

-32-

III.Quick Guide

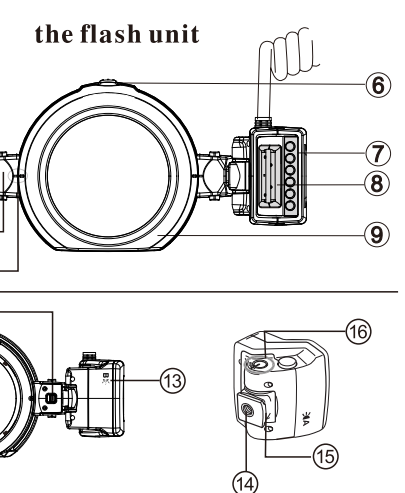
- Please read this section if you do not have time to browse the whole manual.
- Please avoid the excessive use of the output with maximum power. It can effectively extend the service life of this product. (It is recommended that the speedlite should be idled for more than 5 minutes when entering the overcharging protection.)
  - You can operate the respective buttons and observe the changes of the displayed content to understand their respective functions.
  - Short press the [LCD] button to turn on the screen background light, long press the [LCD] button to turn off the SOUND PROMPT; short press the [MODE] button to switch mode; TTL/M mode, short press the [RATIO] button to enter the setting of flash ratio, long press the [RATIO] button to switch the front/rear-curtain sync; Short press the [LED] and [LED] to turn on or turn off the AF assist lamp; there are two levels for the AF assist light luminance; long press the [LED] to enter into the Custom function settings.
  - Through rotate the Select Dial the flash parameter can be adjusted rapidly in the current mode, some parameters need to press the [SELECT] button to set.

-33-

IV.COMPONENTS DISCRPTION (Please familiar with this part carefully, allowing you to quickly familiarize with the product features)

● COMPONENTS DISCRPTION OF THE Flash Unit

- Connecting cable
- AF assist light
- Flash tube B
- Flash installed components
- The standard position indicator (vertical)
- Release button
- AF assist light
- flash tube A
- Mounting ring
- Mounting ring buckle
- Mounting ring A identification
- Mounting ring B identification
- The tripod interface
- Flash base
- The standard position indicator (horizontal)



-34-

● Component Description of the Control Unit

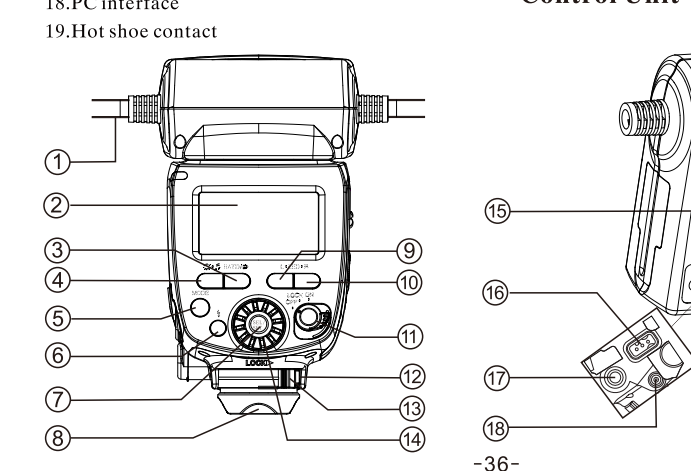
- Connecting cable
- LCD display
- [RATIO] short press to set the flash ratio; long press for two second to enter into the front-curtain or rear curtain synchronous flash switch.
- Backlight/sound switch [ON/OFF] short press the button to turned on or off LED backlight; and sound prompt function of the speedlite shall be turned on or off by pressing this button for about 2 seconds.
- Flash mode button [MODE] short press the button the flash mode will switch between TTL and M.
- Charge indicator [LED] Test button: Red lamp indicates charging is completed and the flash can work; Blue lamp indicates charging is being on, and press this button the speedlite will make test flash.
- [SELECT] button: Save the setting
- Anti-proof waterproof adapter
- [LED] Turn on the left side AF assist light, there are two levels for the intensity; long press to enter the Custom mode Fn.
- [LOCK] Lock switch/Power switch
- Lock release button
- Release button

-35-

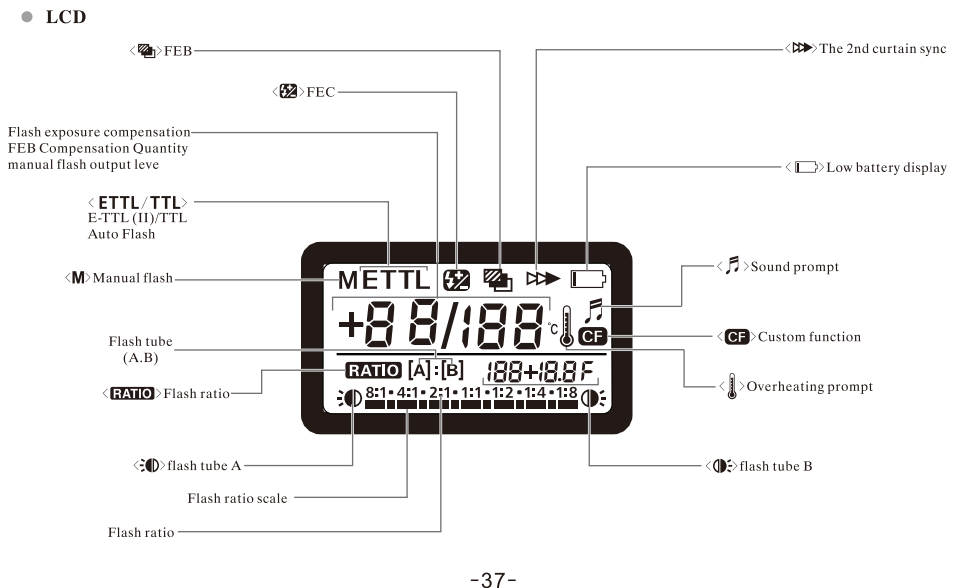
14.[Select Dial]

- Terminal cover
- Internal power interface
- Bracket mounting holes
- Contact surface
- Hot shoe contact

Control Unit



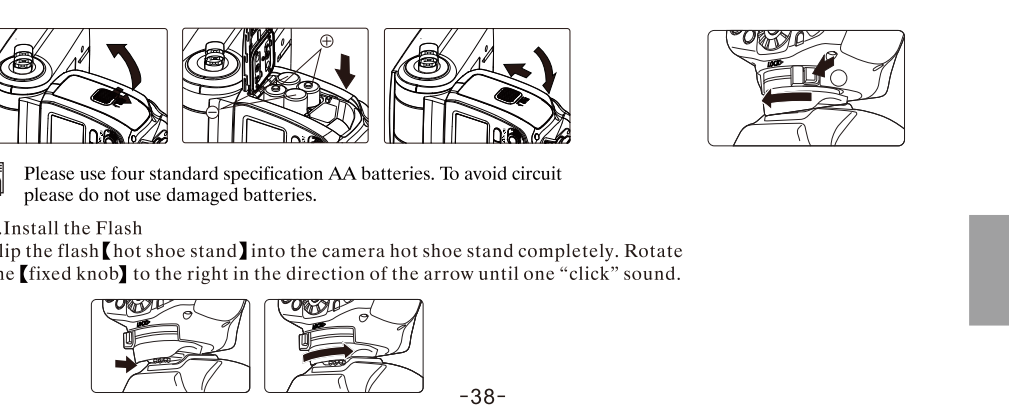
-36-



-37-

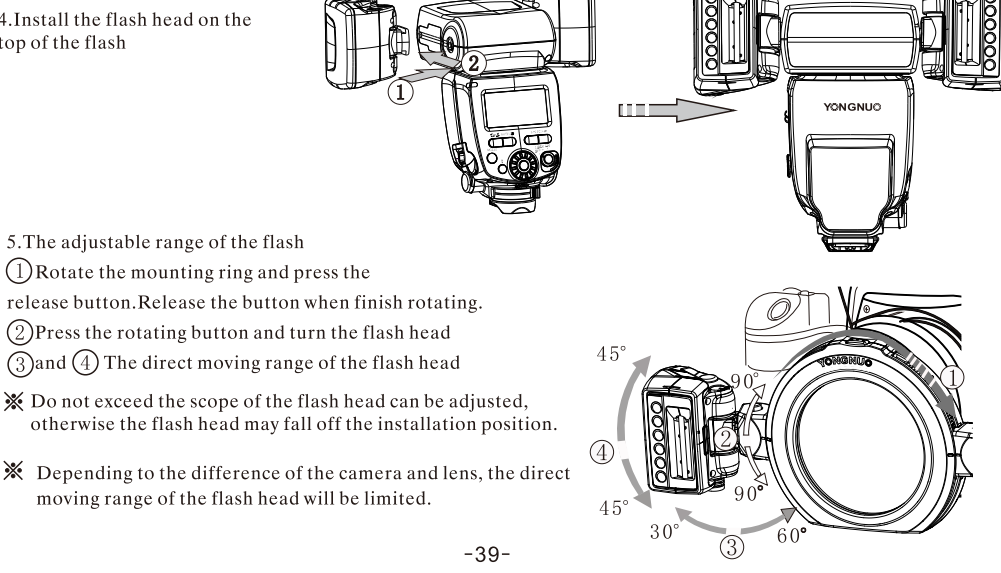
V.Installation

- Battery Installation**
  - Slide the [Battery cover] in the direction of the arrow. Insert the batteries according to the label inside battery chamber and make sure the battery polarity direction is correct. Close the battery cover in the direction of the arrow.
  - Take down the flash before disassemble the flash please keep pressing the [Lock release] button and slip the [Fixed knob] to the left at the same time, and then take down the flash.



-38-

4.Install the flash head on the top of the flash



-39-

● Install the Flash unit

- Use the transfer with the same diameter of the lens filter, tighten the adapter ring on the screw thread of lens filter.
- Press the release button of flash unit and install it on front of the adapter ring.
- The size of adapter ring equipped with the product: 52mm, 58mm, 62mm, 67mm, 77mm.
- Additionally equipped adapter rings for Sversion: 52mm, 58mm.
- The macro flash is designed for macro lens, so the lens may termed when the non-macro lens focusing. It is recommended use manual focus (MF) when using the non-macro lens.
- Auto focus may damage your lens.

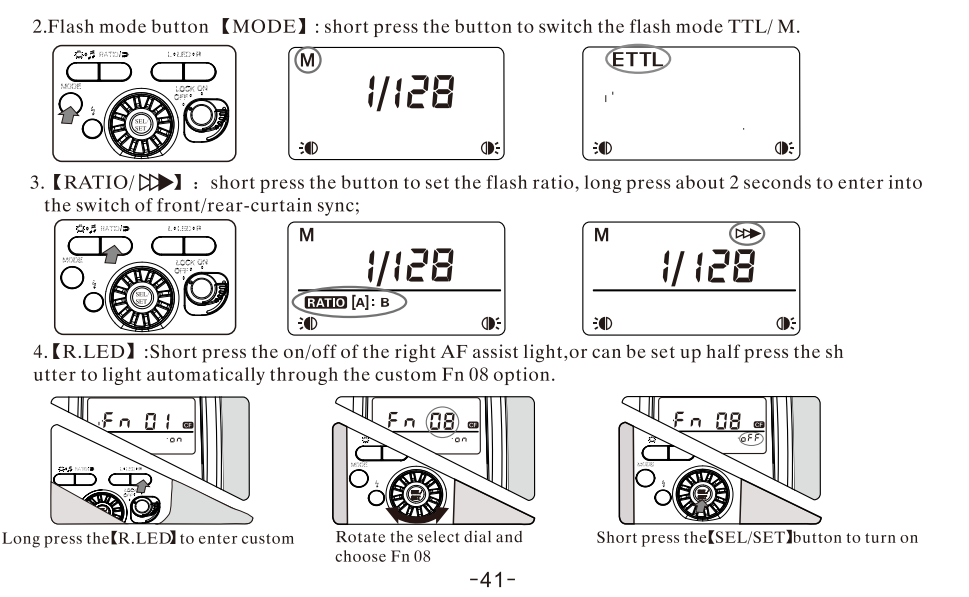
-40-

VI. Basic Operation

1. Operation of the Buttons

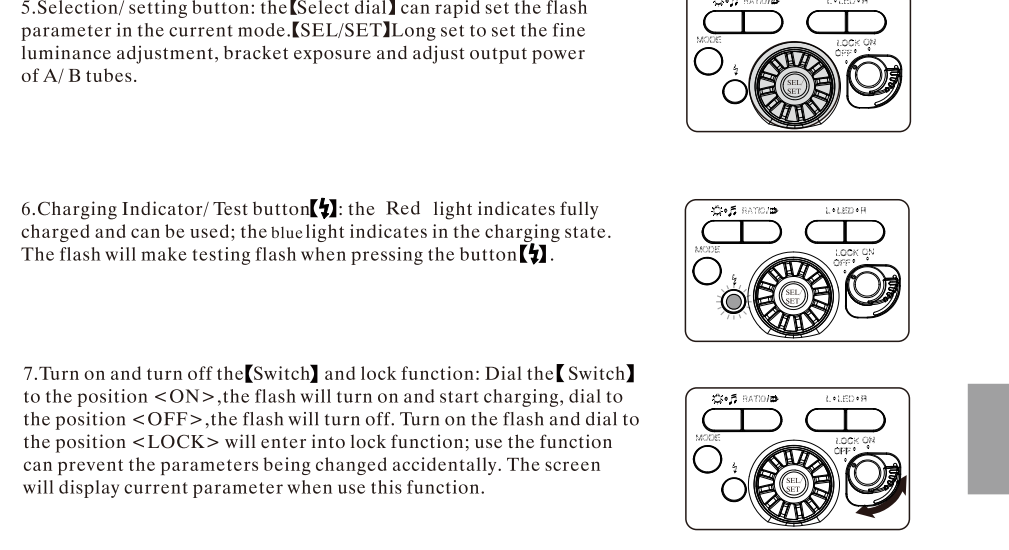
- Backlight/Sound button [LED]: short press the button to turn on/off the LCD backlight; and press the button for about 2 seconds turn on/off the sound prompt function.

-41-



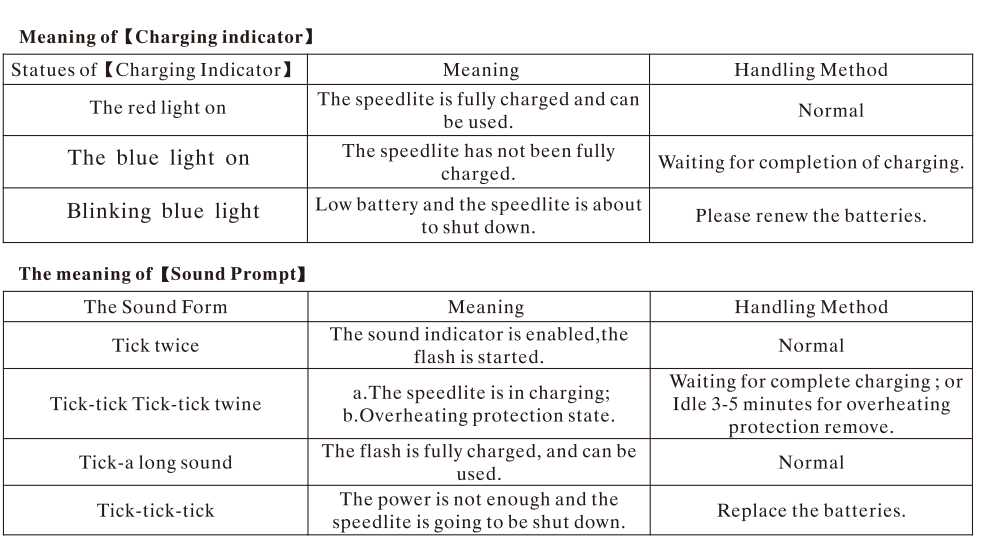
-42-

5.Selection/setting button: the [Select dial] can rapid set the flash parameter in the current mode. [SELECT] long set to set the fine luminance adjustment, bracket exposure and adjust output power of A/B tubes.



-43-

6.Charging Indicator/ Test button: The Red light indicates fully charged and can be used; the twilight indicates in the charging state. The flash will make testing flash when pressing the button [LED].



-44-

● Power on/off

- Dial the [Switch] to the position <ON> to turn on the flash, can set flash with through the custom setting, turn off the flash power and then remove the battery.
- After turning on the flash, the [charging indicator] is on green light, which indicates the flash is ready to work.
- When in low battery, if the charging is not completed within 20 seconds, the [charging indicator] will blink with red light; the LCD panel will display the icon of low battery, and the flash will auto power off, indicating it need to replace new batteries.
- You can press the [LED] button to test if the speedlite works normally.
- After use, slip the [Switch] to the <OFF> position.

-45-

● TTL Mode

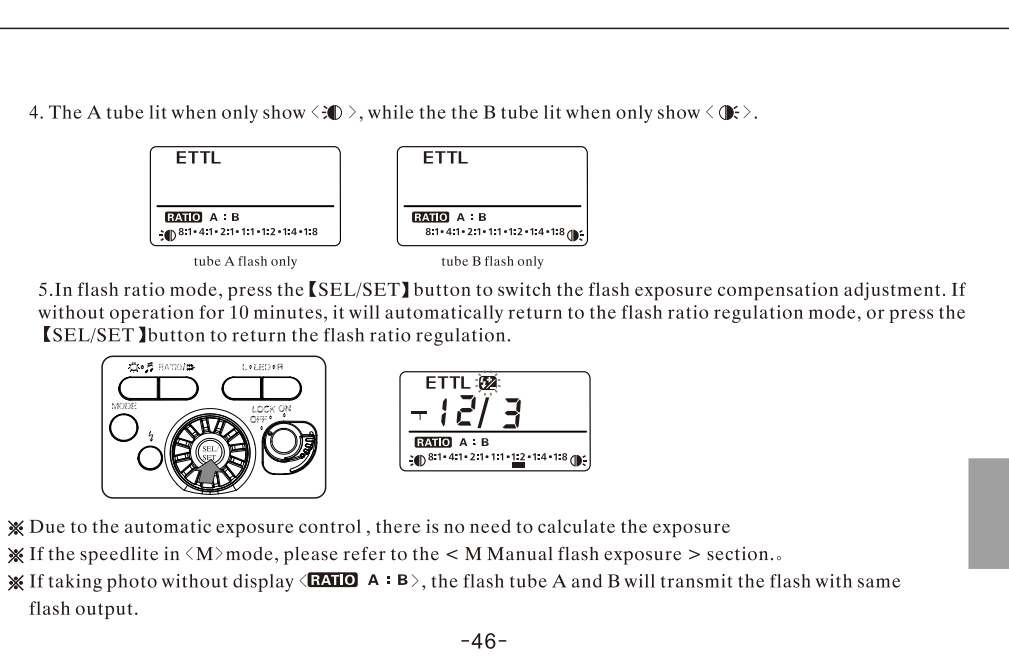
- In TTL mode, the metering system of this camera will detect the flash illumination reflected back from the object so as to automatically adjust the flash output. Supports exposure compensation, FEB, Rear-curtain sync, AE lock, and CAMON camera menu access and etc.
- You can set the exposure compensation for flash by short press the [SELECT] button and then rotate the [Select dial] for adjustment. The flash exposure compensation amount can be set up within the range of ±3EV in 1/3-stop precision.

-46-

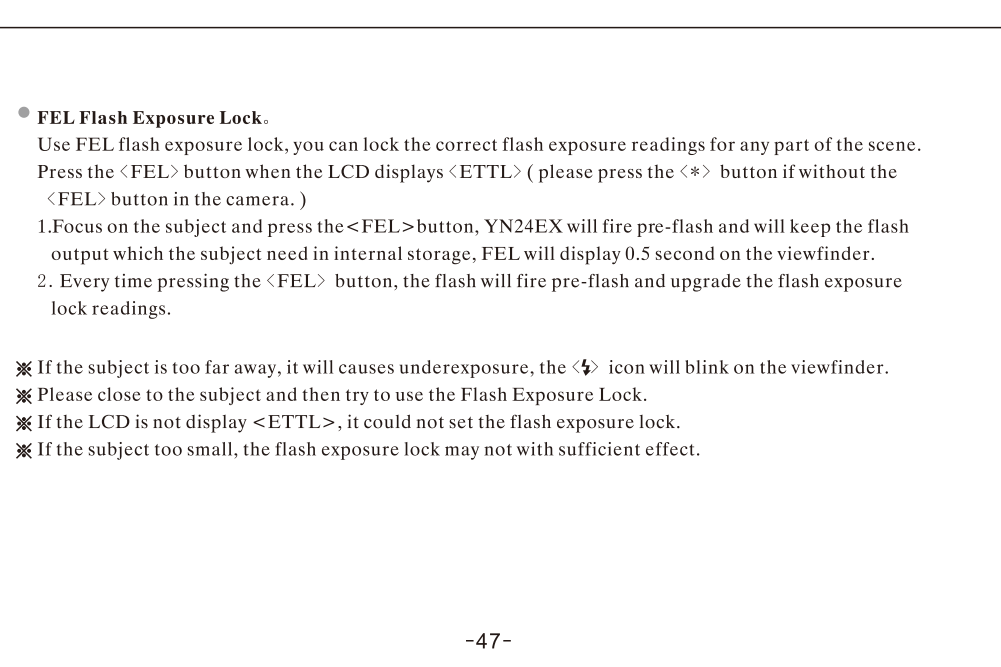
● Set the Flash Ratio

- It can adjust the flash ratio of tube A and B or just make one flash tube work. It can create shadow on the subject to make the photo with engraving effect. The flash ratio can be regulated with the precision of 1/2 EV within the range of 8:1-1:1-1:8.
- Press the [MODE] button to TTL/M mode.
- Press the [RATIO] button to display: [A:B] A: B.
- Set the flash ratio, rotate the [Select dial] to choose the value from 8:1-1:1-1:8. When choosing the leftmost end or the right end to set, it will only light one flash tube.

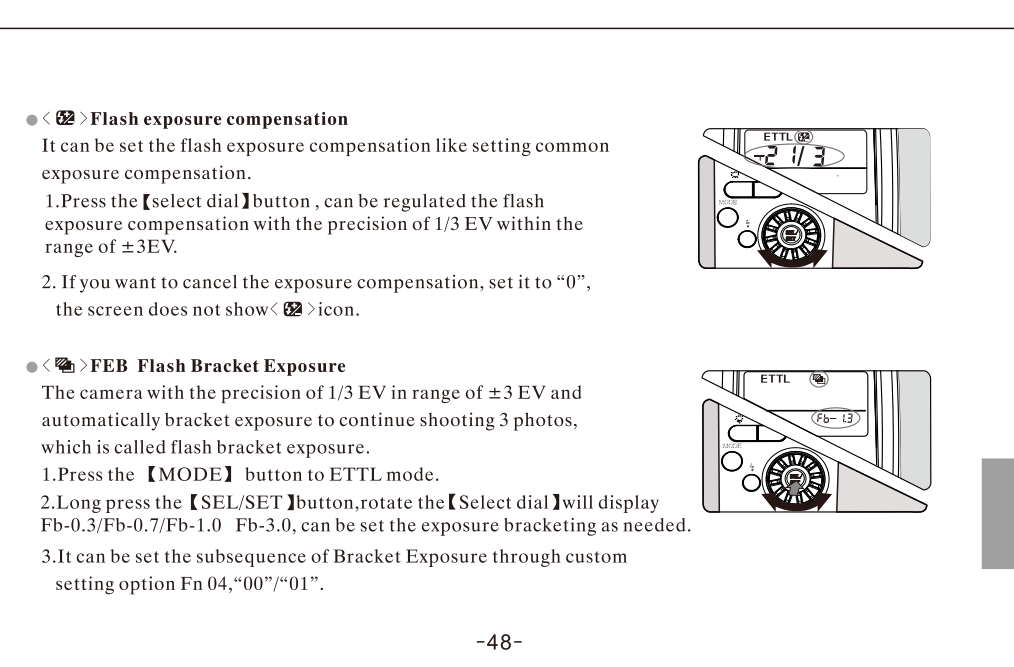
-47-



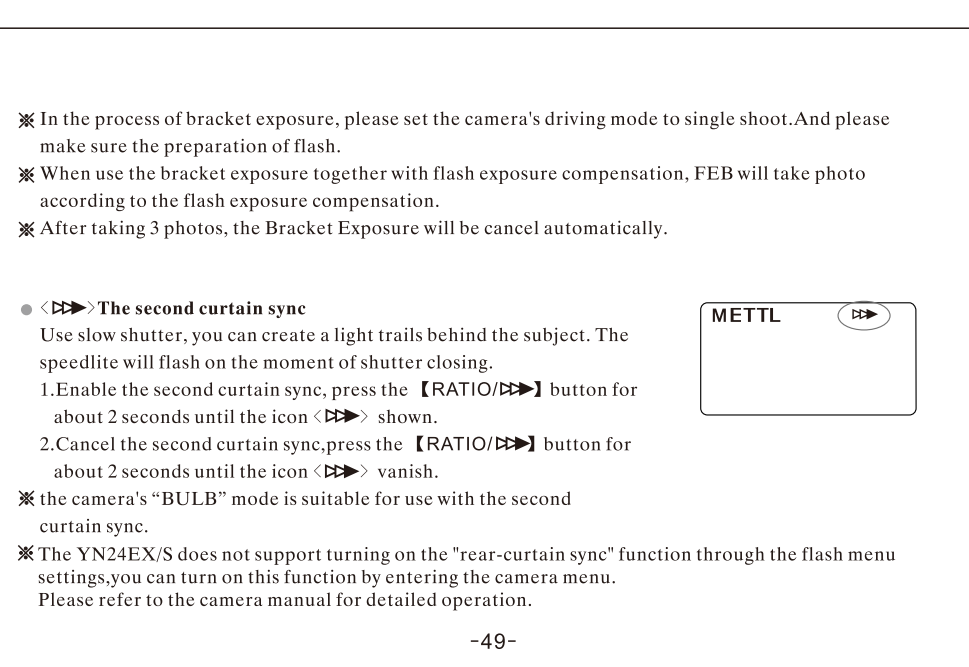
-48-



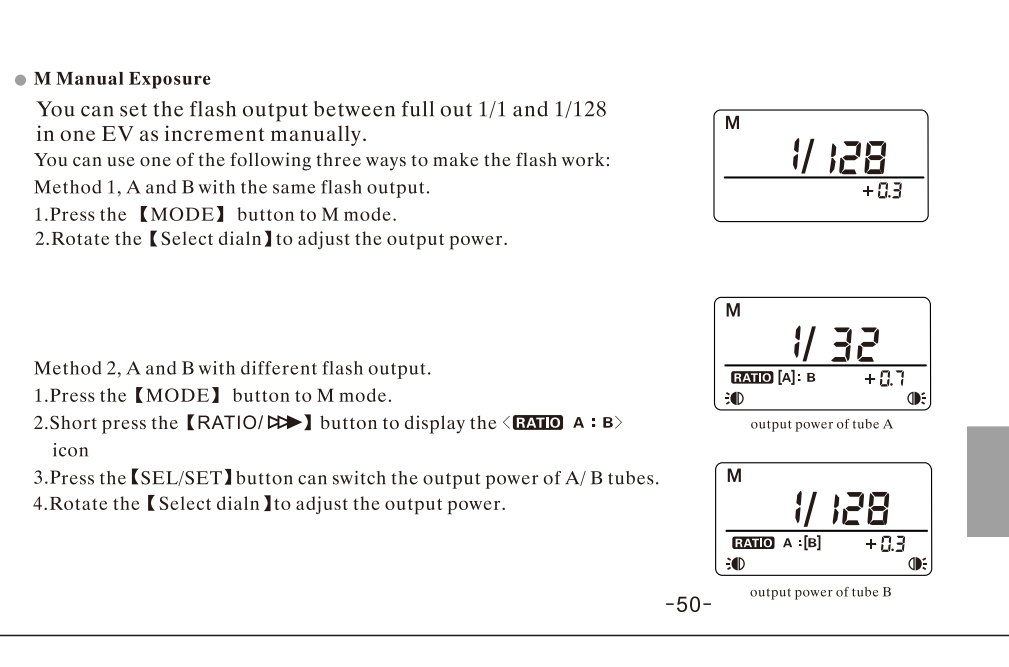
-49-



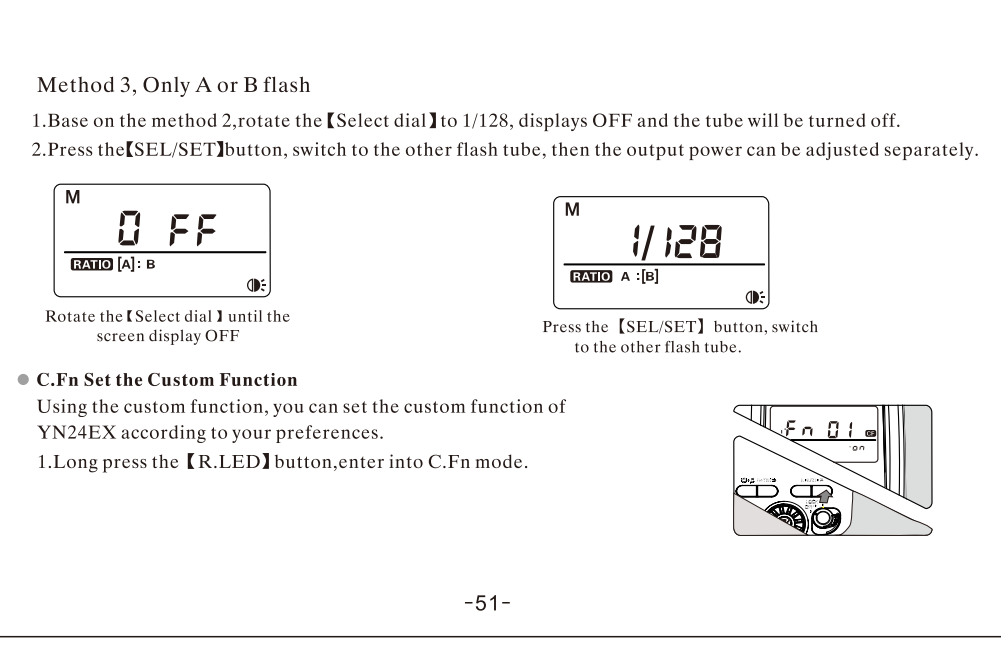
-50-



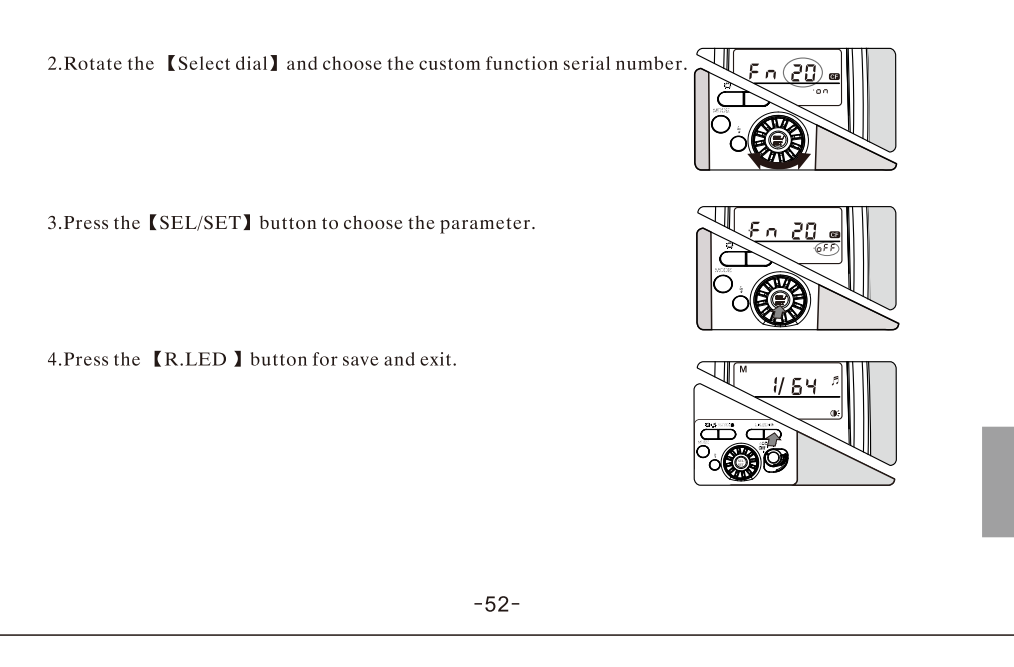
-51-



-52-



-53-



-54-

C.Fn	Number	Function and Setup Instructions
Fn 01	on/off	on: turn on the power saving function off: turn off the power saving function
Fn 03	on/off	on: FEB auto cancel is enabled off: FEB auto cancel is disabled
Fn 04	00/01	00: Sequence of FEB is 0 → → → → → 01: Sequence of FEB is → → → → →
Fn 08	00/01/02	00: Half press to enable AF-assist beam is turned off 01: Half pressed to turn on level brightness of the focus lamp 02: Half pressed to turn on level brightness of the focus lamp
Fn 20	on/off	on: Sound prompt function is enabled off: Sound prompt function is disabled
Fn E1	00/05/05/10/30/60	00/05/10/60 indicates the dormancy mode enabled after the flash keeping idle for 3/5/10/60 minutes. In dormancy mode, it will power off automatically after keeps the same idle time. OFF indicates NO dormancy and will not turn off.

-55-

C.Fn	Number	Function and Setup Instructions
Fn E2	on/off	The display time of LCD backlight is 7/15/30 seconds/Keep bright until pressing the button to turn off it, on: recover the default settings off: no-operation (default)

\* Fn 01-Fn 20 options are consistent with the options on Canon camera menu. YN24EX can be set through the camera.  
 \* Fn E1-Fn E3 can only set on YN24EX.

-56-

**Fn function of S version flash:**

Fn	Number	Function and Setup Instructions
Fn 01	on/off	on: Half press to enable AF-assist beam is turned on off: Half press to enable AF-assist beam is turned off
Fn 02	01/02	01: Half pressed to turn on I level brightness of the focus lamp 02: Half pressed to turn on II level brightness of the focus lamp
Fn 03	on/off	on: backlight on off: backlight off
Fn 04	on/off	on: Sound prompt function is enabled off: Sound prompt function is disabled
Fn 05	off/0.3/0.3/30	Indicates the flash staying sleep mode after being idle for 30 seconds/3 minutes/30 minutes respectively, and after sleep it will power off automatically if continues to be idle for the same amount of time, off means do not sleep, do not shut down
Fn 06	on/off	on: recover the default settings off: no-operation (default)

\* The Fn 02-Fn 05 options of the YN24EX S are consistent with that of the camera menu of S camera, you can set the flash by the camera menu.  
 \* Fn 01 and Fn 06 can only be set on the flash.

-57-

**VI. Troubleshooting guide**

Flash	Cause	Handling Method
The flash does not work.	The control unit has not firmly installed in the camera.	Push the hot shoe of control unit in position and rotate the screw.
	The electronic contact of control unit or the camera's hot shoe become dirty.	Clean the contact.
	The control unit without battery.	Install the battery in the control unit.
Underexposure or overexposure.	The batteries have run out.	Replace a new set of batteries.
	Have set the flash exposure compensation.	Cancel the flash exposure compensation.
The power shut down automatically.	Set the power saving function	Enter into C.Fn 01 to set "off", at the moment the setting of Fn E1 is invalid.
Unable to remove the control unit from the camera.	The fixed knob has not screwed to the top.	Screw the fixed knob to the top and then remove the control unit.

\* Any problem in using please refer to this section or browse the manual again. If the problem failed to resolved to the after-sales service center.

-58-

**VII. Specification**

Specification	Macro Flash YN24EX	Type	Automatic macro/Flash for close-up photography
Circuit Design	Insulated Gate Bipolar Transistor	Guide No.	Two flash tubes: 21/64, 3 Stage: Flash: 16-45, 4 (ISO 100 - in meters/feet)
Flash Coverage	vertical angle: up/down: 90 degrees horizontal angle: up/down: 90 degrees spread: 50 degrees, downwards 50 degrees	Flash Ratio Control	With the precision of 1/2 EV within the range of 8:1-1:1-1:8
Flash Mode	TTL/M	Power Supply	4 AA alkaline battery or AA Nickel-metal hydride battery (Ni-MH)
Lighting Times	200-2500 times	Recycle time	approx. 3%
Color Temperature	5600K	Flash Control	8 levels of output control/1/128-1/122 levels of fine tuning
External Interface	shoe, PC port and external charging port	Control Unit Dimension	175*105*160mm
Flash Unit Dimension	22.1*15.1*17.1mm	Net Weight	305g

Additional features: Flash ratio control, rear-curtain sync, LED AF Assist Lamp, exposure compensation, FEB, FE lock, sound prompt, automatically saving setting, PC port, charging interface, power saving mode, overcharging protection, advanced options function.

Accessories: Macro Flash (1), portable bag (1), manual (1), adapter ring (3), Non-S version adapter ring (1) (this series)

-59-

Update version of this manual can be got form <http://www.yongnuo.com/usermanual/download/index.htm>

The functions of this manual are based on test conditions of our company. Further notice will not be given if the design and specifications change.

The YONGNUO logo in this manual includes the registered trademark or trademark of SHENZHEN YONGNUO PHOTOGRAPHY EQUIPMENT CO., Ltd in China or/and other countries (regions). All other trademarks are the property of their respective owners.

-60-

**YONGNUO** 产品保修卡

用户名称: \_\_\_\_\_ 联系电话: \_\_\_\_\_ 邮编: \_\_\_\_\_

地址: \_\_\_\_\_

产品名称: \_\_\_\_\_ 购买日期: \_\_\_\_\_

故障说明: \_\_\_\_\_

WARRANTY CARD

Owner's Name: \_\_\_\_\_ Phone: \_\_\_\_\_ Zip Code: \_\_\_\_\_

Address: \_\_\_\_\_

Product code: \_\_\_\_\_ Purchase Date: \_\_\_\_\_

Failure Description: \_\_\_\_\_

**YONGNUO** 产品保修卡

用户名称: \_\_\_\_\_ 联系电话: \_\_\_\_\_ 邮编: \_\_\_\_\_

地址: \_\_\_\_\_

产品名称: \_\_\_\_\_ 购买日期: \_\_\_\_\_

故障说明: \_\_\_\_\_

WARRANTY CARD

Owner's Name: \_\_\_\_\_ Phone: \_\_\_\_\_ Zip Code: \_\_\_\_\_

Address: \_\_\_\_\_

Product code: \_\_\_\_\_ Purchase Date: \_\_\_\_\_

Failure Description: \_\_\_\_\_

承诺官网 承诺商城

深圳市永诺摄影器材股份有限公司

深圳市福田区科技园道深保现代光学厂区A座

TEL: (086) 0755-83762448 Email: service@yongnuo.com

FAX: (086) 0755-83762765 WebSite: www.yongnuo.com

全国服务热线: 400-001-2888

www.yongnuo.com