

YONGNUO

YN216 II

摄 像 灯
Pro LED Video Light



使用说明书
User Manual

中文
English

前言

感谢您使用YN216 II摄像灯, 在使用产品前, 请认真阅读使用说明书。

注意事项

- 1.请保管好本产品, 请勿让儿童接触, 勿放置在儿童活动之处。
- 2.在使用产品前, 请确认电源电压和本产品所标识的电压是否符合。
- 3.产品运行时, 请勿遮挡散热孔, 以免散热效果差从而损坏产品。
- 4.产品运行时, 强光源照射, 切勿直视灯珠, 以免引起眼睛不适。
- 5.产品运行时, 灯珠会处于发热状态, 切勿触摸, 以免造成烫伤。
- 6.产品应保持干燥环境下使用, 产品没有防水防火性能, 避免在高温、雨天、潮湿、多尘等恶劣环境下使用。
- 7.请勿在化学品、可燃性气体、易燃易爆的环境下使用产品。
- 8.建议使用永诺提供的原厂线缆或出售的配件。
- 9.产品接通电源线时, 请妥当放置电源线, 避免绊倒人员或拉扯造成断电, 勿放置在高温或潮湿表面。
- 10.产品存放前, 请关机断电, 拔出电源线, 等待产品完全冷却后, 存放置便携包或干燥环境。
- 11.在清洁产品前, 确保断电状态, 请使用干软布进行清洁。
- 12.产品不防摔, 请小心使用, 避免掉落或承受重击。
- 13.当产品出现高温报警时, 请检查风扇是否出现故障。
- 14.请勿使用已损坏的电源线, 以及摔落出现开裂的产品。
- 15.请勿私自拆卸产品, 如出现故障须本公司或授权维修人员处理。

产品规格

光源	332颗LED灯珠		
色温	2700K-8000K		
输出功率	24瓦		
外接电池	一个NP-F系列电池供电或8个AA电池(需另购买)		
外接电源	DC 12V --- 2A, 接口尺寸 $\phi 5.5 * 2.1\text{mm}$		
摄像灯尺寸	16.5*14*16.5厘米		
蓝牙遥控	≤50米	2.4G无线控制	≤100米
平均寿命	50000小时	光照角度	55°

物料清单

所含物品: 摄像灯 (1)、柔光罩 (1)、微型底座 (1)、说明书 (1)。

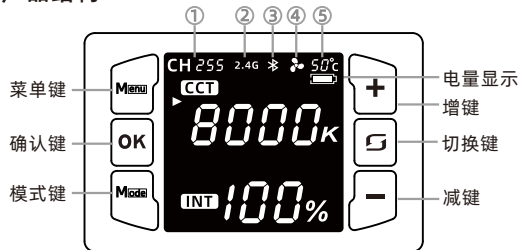
注: 如有缺失请与经销商联系。

亮度测试数据表

双色温	2700K	3200K	4400K	5600K	6500K
裸灯(1米)	1705lux	2130lux	2910lux	2630lux	2265lux

*以上测试为平均值, 不同灯的亮度有微小差异。

产品结构



菜单键

确认键

模式键

电量显示

增键

切换键

减键

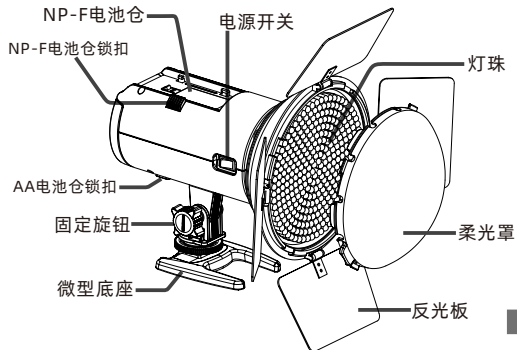
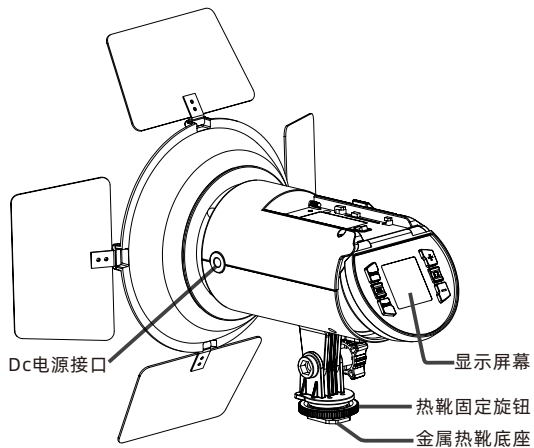
1: 频道显示

2: 2.4G (开启显示)

3: 蓝牙 (连接显示)

4: 风扇 (开启显示)

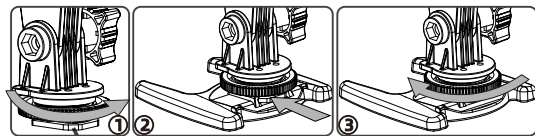
5: 灯珠温度显示



-3-

安装与使用

1、安装微型底座放置在桌面或者其他平面上使用。



注：倒角朝外按图②箭头方向安装。

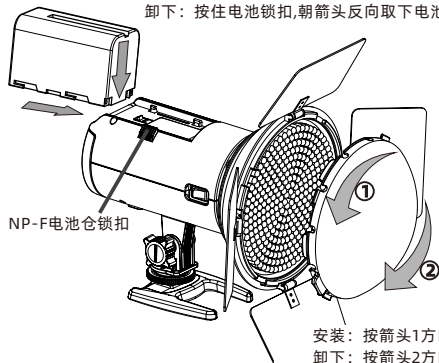
①.将热靴固定旋钮， ②.将灯脚金属热靴按箭， ③.按箭头方向将热靴固定到顶部。 头方向推入微型底座。 靴固定旋钮拧紧。

2、供电模式。

(1).安装NP-F电池/安装柔光罩。

安装：按箭头方向安装NP-F系列电池。

卸下：按住电池锁扣，朝箭头反向取下电池。

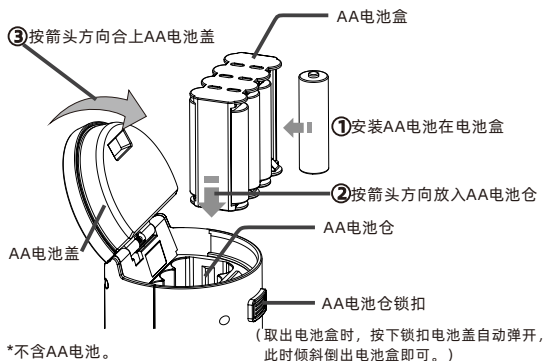


安装：按箭头1方向安装柔光罩。
卸下：按箭头2方向取下柔光罩。

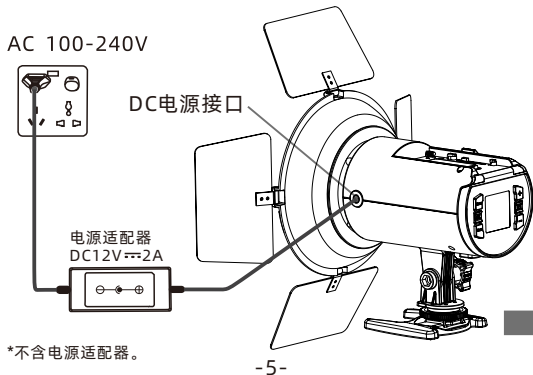
*不含NP-F系列电池。

-4-

(2).安装AA电池。



(3).使用电源适配器供电。

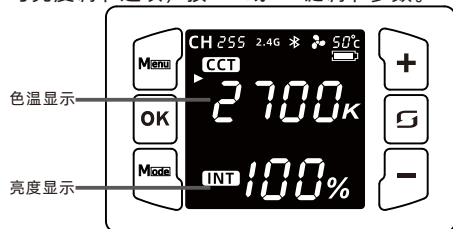


3、开机与关机。



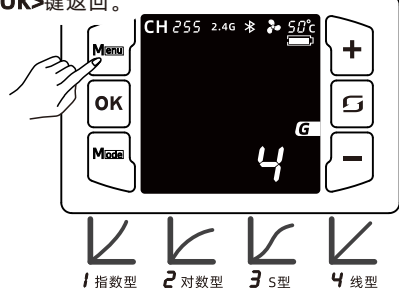
4、色温与亮度调节。

按下<Mode>进入色温界面, 按<左>键切换色温与亮度调节选项, 按<+>或<->键调节参数。



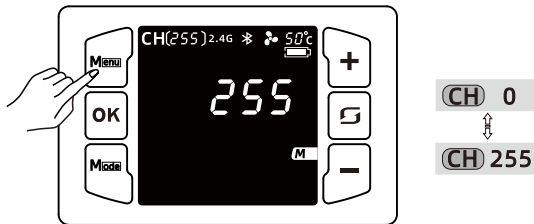
5、4种专业级调光曲线模型。

按下<Menu>键进入菜单设置, 按<+>键调至M闪烁, 按下<左>键停止闪烁, 按<+>或<->键调节曲线模型, 按<OK>键返回。



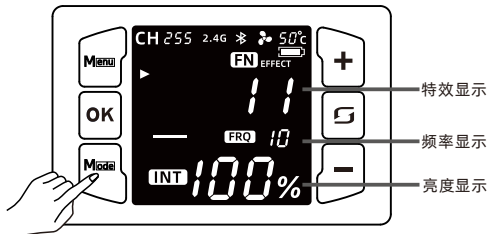
6. 切换频道。

按下<Menu>键进入菜单模式，选择[CH]频道，按下<左>键，再按<+>或<->键调节所需频道，按下<左>键完成设置，按<OK>键返回。



7. 特效模式。

按下<Mode>按钮进入特效模式，按<左>键切换特效、速度、亮度选项、按<+>或<->键调节参数，再按下<Mode>切换到色温模式。

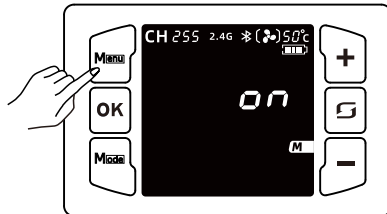


8. 设置风扇开关。

按下<Menu>键进入菜单设置，选择风扇图标，按下<左>键选择开关，再按下<OK>键返回。

On: 风扇开启时功率24瓦。

OFF: 风扇关闭时功率降至10瓦。



9、手机APP与遥控器的使用。

- 1).按下<Menu>键进入菜单模式，选择蓝牙<📶>图标，按下<📶>键开启蓝牙;此时打开手机APP就可以自动连接摄像灯实现无线控制。
- 2).2.4G无线控制模式可选择开启或关闭。
- 3).APP可以从永诺官网下载或通过扫描彩盒二维码点击下载。



蓝牙 OFF



蓝牙 ON



2.4G OFF



2.4G ON

本手册中的功能是依据本公司的测试条件获得，设计和规格如有变更，恕不另行通知。

制造商：深圳市永诺电器有限公司

制造商地址：深圳市坪山区坑梓街道秀新社区锦绣东路14号A1栋209 A座A2栋2-5楼

电话：(86)0755-3300 1023

售后电话：400-001-3888

网址：www.hkyongnuo.com

Introduction

Thank you for using YN216 II Video light. Please read the manual carefully before you use it.


Precautions

1. Please keep product away from children, do not place it in the children's activity area.
2. Before use, please check whether the power voltage fits the voltage marked on the product.
3. When the product runs, please do not cover the dissipation hole to avoid product damage due to poor dissipation performance.
4. When the product runs, do not look straight at the lamp beads to avoid eyes discomfort due to strong lights.
5. When the product runs, lamp beads are at the heating state, do not touch it to avoid burning.
6. The product should be used in a dry environment. It has no waterproof and fireproof performance, please avoid using it in high temperature, rainy day, dusty and other harsh environment.
7. Do not use this product near chemicals, flammable gases, inflammables and explosives.
8. It is recommended to use the original cables or accessories provided or sold by YONGNUO.
9. When the power cord is connected, please place it properly to avoid tripping people or blackout, and do not place it on the hot or damp surface.
10. Before storing the product, please turn off the power, unplug the power cord, wait for the product

to cool down completely, and store it in a portable bag or a dry environment.

11. Before cleaning the product, please ensure that the power is turned off, and please use a dry soft cloth for cleaning.
12. This product is not fall-proof, please use it carefully to avoid falling down or getting heavy hit.
13. When high-temperature warning occurs, please check whether the fan is faulty.
14. Please do not use the damaged power cord or the cracked product caused by falling off.
15. Please do not disassemble the product by yourself. In case of failure, problems shall be handled by the company or authorized maintenance personnel.

Product specification

Light Source	332LED beads
Color temperature version	2700K-8000K
Output power	24W
Compatible batteries	Powered by one NP-F series battery or 8 AA batteries. (Need to be purchased separately.)
External power source	DC 12V $\overline{\text{---}}$ 2A、 Interface size, \varnothing 5.5*2.1mm 
Product Net Size	16.5*14*16.5CM
Bluetooth control	\leq 50m
2.4G wireless control	\leq 100m
Average Service Life	50000H
Luminance Angle	55°

Check list

Contents: Video light(1), Diffuser(1), Mini Base(1), User Manua(1).

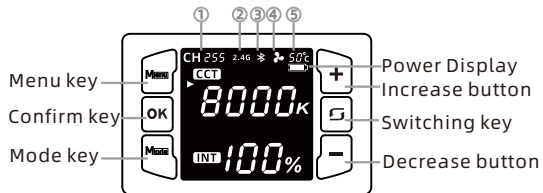
Note: Please contact your dealer if anything missing.

Photometrics

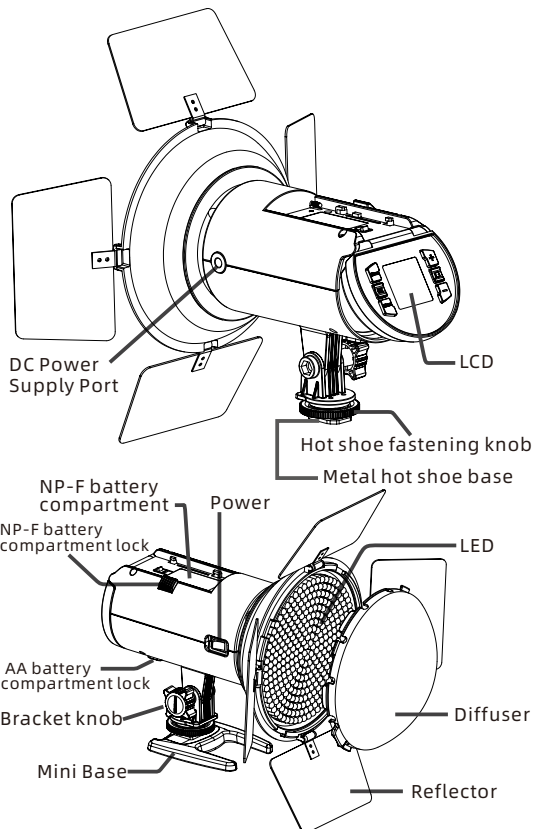
Bi-color temperature version	2700K	3200K	4400K	5600K	6500K
Single light (1M)	1705lux	2130lux	2910lux	2630lux	2265lux

* This is an averaged result, the number might be slightly different on each light.

Product structure

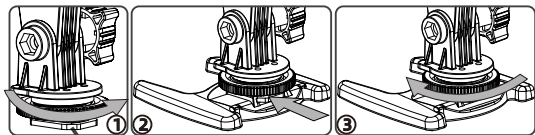


- 1: Channel Display.
- 2: 2.4G(Switch Display).
- 3: Bluetooth (Connection Display).
- 4: Fan(Switch Display).
- 5: Lamp Bead Temperature Display.



Installation and use

1. Install the minibase to be placed on the table or other flat surface for use.

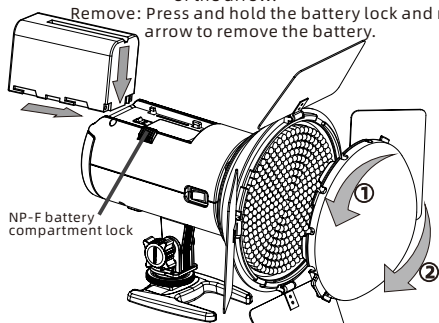


Note: Install with the chamfer facing outward in the direction of the arrow in Figure ②.

- ①. Rotate the hot-shoe lock knob to the top in the direction of the arrow. ②. Push the metal hot-shoe on the lamp foot in the miniature stand in the direction of the arrow. ③. Screw up the hot-shoe lock knob in the direction of the arrow.

2. Power Supply Mode.

- (1). Installation of NP-F battery / installation of diffuser.
Installation: Install the NP-F series battery in the direction of the arrow.



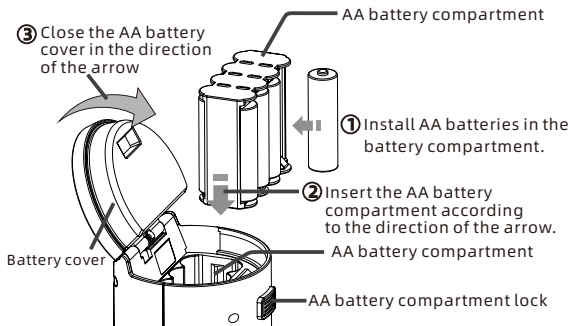
Remove: Press and hold the battery lock and reverse the arrow to remove the battery.

Installation: Install the diffuser in the direction of arrow 1:

Remove: Remove the diffuser in the direction of arrow 2.

*not contain NP-F series batteries.

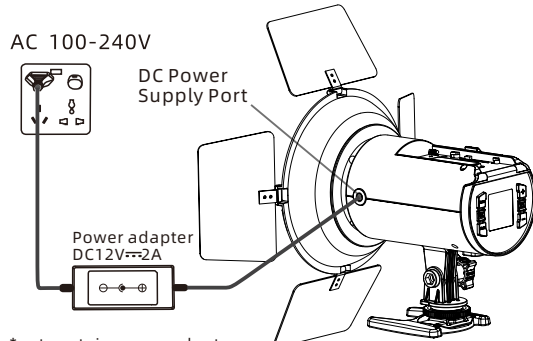
- (2). Install AA batteries.



*not include AA batteries.

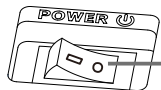
(When taking out the battery box, press the lock and the battery cover will automatically pop open. At this time, tilt out the battery box.)

- (3). Powered by power adapter.



*not contain power adapter.

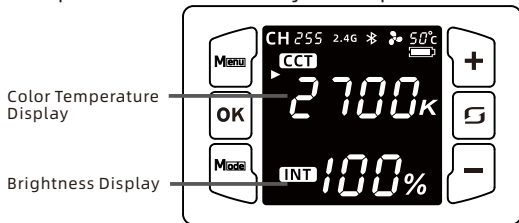
3. Power ON or OFF.



—: **ON**
○: **OFF**

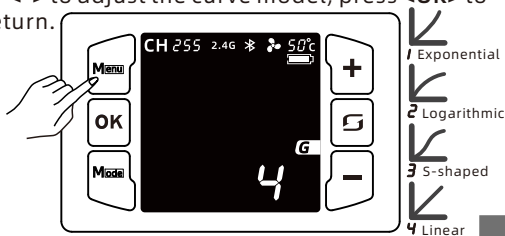
4. Color temperature and brightness adjustment.

Press **<Mode>** to enter the color temperature interface, press **<☞>** to switch the color temperature and brightness adjustment options, and press **<+>** or **<->** to adjust the parameters.



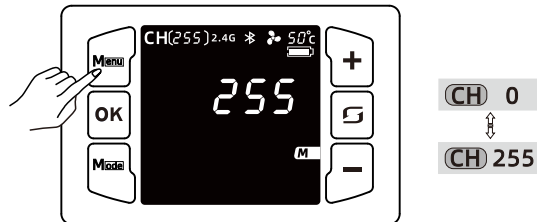
5.4 professional light adjustment curve models.

Press **<Menu>** to enter the menu setting, press **<+>** to **M** blink, press **<☞>** to stop blinking, press **<+>** or **<->** to adjust the curve model, press **<OK>** to return.



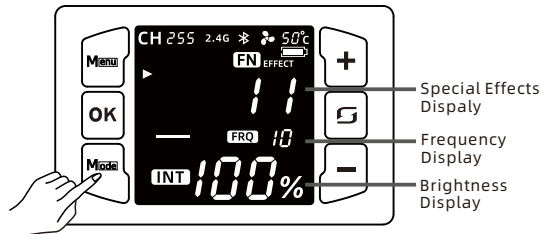
6. Switch channels.

Press **<Menu>** key to enter menu mode, select **[CH]** channel, press **<☞>** key, then press **<+>** or **<->** key to adjust to the required channel, press **<☞>** key to finish setting, press **<OK>** key to return.



7. Special effect mode.

Press the **<Mode>** button to enter effects mode, press **<☞>** to switch effects, speed, brightness options, press **<+>** or **<->** to adjust parameters, then press **<Mode>** to switch to color temperature mode.



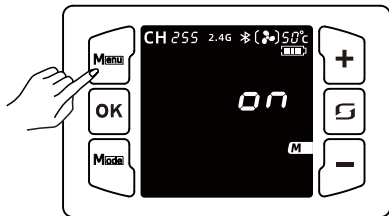


8. Fans Switch Setting.

Press **<Menu>** to enter the menu setting, select the fan icon, press **<Switch>** to select the switch, then press **<OK>** to return.

ON: The power is 24W when the fan is on.

OFF: The power is reduced to 10Watts when the fan is off.



9. Use via mobile APP and remote control for wireless control.

- 1). Press the **<Menu>** key to enter the menu mode, select the Bluetooth **<Bluetooth>** icon, and press the button **<Bluetooth>** to turn on Bluetooth; At this time, please open the mobile APP to connect the light automatically to achieve wireless control.
- 2). **2.4G** wireless control mode can be selected to turn on or off.
- 3). The **APP** can be downloaded from the YONGNUO official website or scanning the QR code on the gift box.



Bluetooth
OFF



Bluetooth
ON

2.4G

2.4G OFF

2.4G

2.4G ON

The functions in this manual are based on the test conditions our company. Further notice will not be given if the design and specifications change.



APP下载

APP Download



永诺官网

YONGNUO Web

