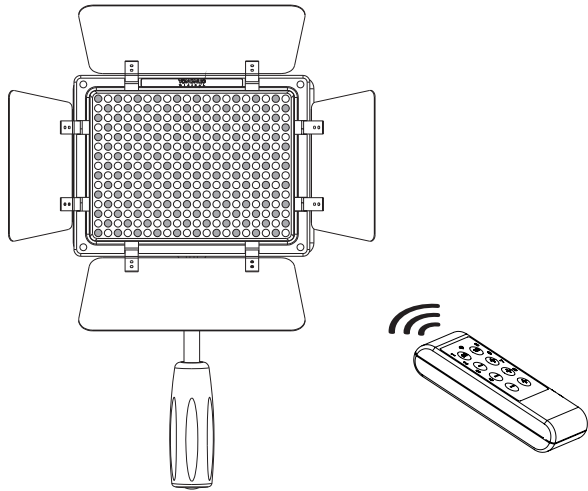


YN300 III 摄像灯 Pro LED Video Light 使用说明书



在使用产品前，请认真阅读说明书并妥善保管以便将来查阅

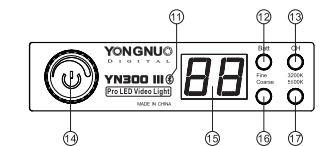
总述

首先感谢您使用永诺YN300 III摄像灯，它由150颗3200K色温的灯珠和150颗5600K色温的灯珠构成，均为超大发光面积的灯珠，同等能耗，亮度更高且可以在3200K至5600K之间任意调节所需的色温，实用性更强；采用永诺专有LED驱动技术，拍摄时绝不出现波纹、频闪等现象；它采用编码器数字调光模式，调光精准、可靠；配有8频道分组功能；另外它还可以遥控器遥控或手机无线遥控，分组控制摄像灯的亮度等强大功能。

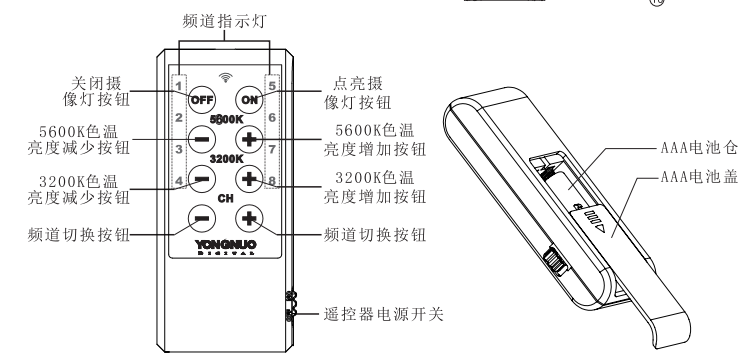
一、产品结构

- 1、反光板
- 2、5600K色温灯珠
- 3、3200K色温灯珠
- 4、手柄
- 5、直流电源插孔
- 6、电池锁扣
- 7、梅花调节螺丝
- 8、热靴固定旋钮
- 9、金属热靴底座
- 10、微型底座
- 11、蓝牙连接指示灯
- 12、电量测试按钮
- 13、频道切换按钮
- 14、电源开关/亮度调节旋钮

- 15、LED数码显示屏
- 16、粗/细调切换按钮
- 17、3200K/5600K色温切换按钮



遥控器结构



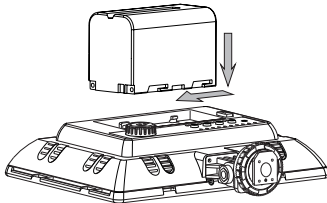
二、功能简介

- 1、配置多频道无线遥控器，可以离机调节亮度及开关，同时可以分别控制8组摄像灯的亮度及开关，让您操作更轻松。
- 2、可在官网下载手机APP，通过手机控制LED摄像灯，读取当前LED摄像灯的亮度及频道，可分别控制8组摄像灯的亮度及开关，让您随心所欲的控制LED摄像灯。
- 3、YN300 III采用150颗3200K色温的灯珠和150颗5600K色温的灯珠组成，均为超大发光面积的灯珠，同等能耗，亮度更高且可以在3200K至5600K之间任意调节所需的色温，实用性更强。
- 4、采用永诺专有LED驱动技术，拍摄时绝不出现波纹、频闪等现象。
- 5、YN300 III采用编码器数字调光，可分粗调、细调模式，使用更方便。
- 6、YN300 III采用LED数字显示屏，功率输出更直观。
- 7、支持外接直流电源输入，方便您长时间拍摄使用(电源适配器为选配)。
- 8、配置2块色温板，适合不同环境下使用。

三、使用方法

1、安装电池

安装锂电池时按箭头方向将电池装入卡槽。
注：适用NP-F系列电池，不使用时请取下电池。

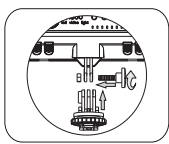


2、拆卸锂电池时，请先按下电池锁扣再取出锂电池



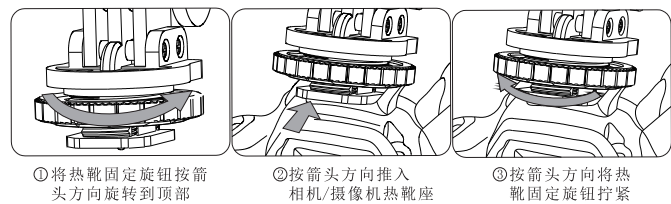
2、安装摄像灯

先将灯脚通过梅花胶头螺丝固定在摄像灯底部，根据您需要的方向调节摄像灯的角度。

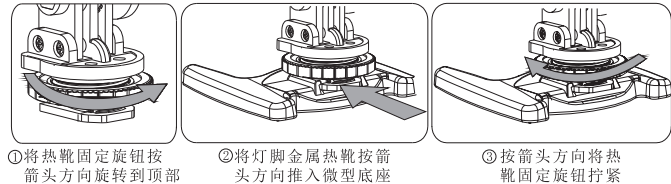


3、根据您的需要可以通过以下方式固定摄像灯：

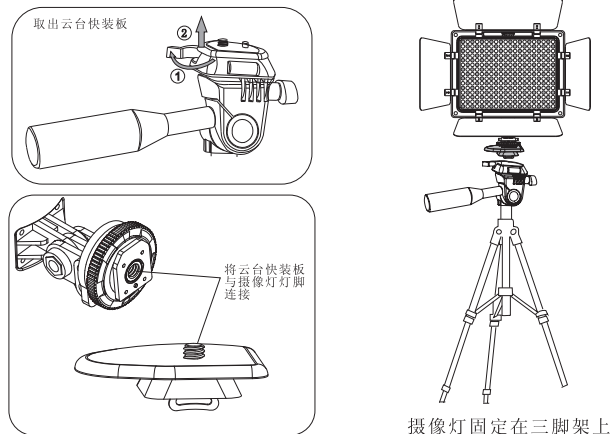
a、固定在单反相机/摄像机热靴上使用。



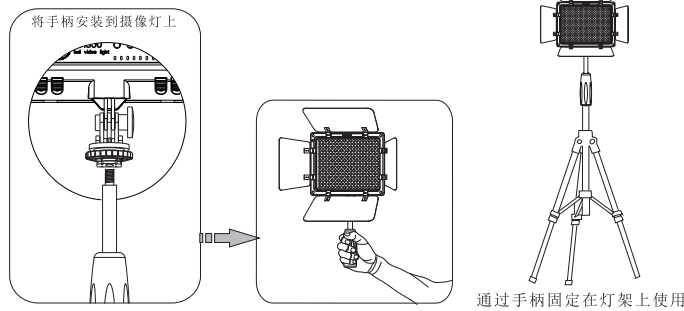
b、通过附带的微型底座放置在桌面或者其他平面上使用



c、直接固定在三脚架上使用

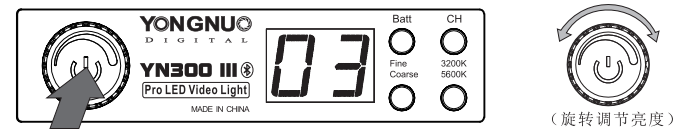


d、通过附带的手柄手持使用。



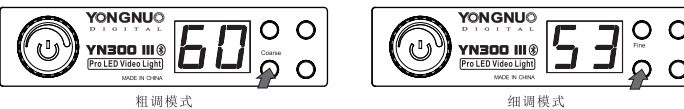
4、开机及亮度调节

a、按下电源开关，LED摄像灯点亮，向右旋转增加亮度，向左旋转减小亮度。



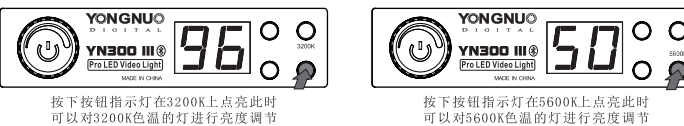
b、Fine/Coarse按钮

可分粗调、细调模式，使用更方便。按下Fine/Coarse按钮进行粗细调的切换当Coarse的指示灯亮起则进入粗调模式亮度按10%为一个调节单位。再按一下此按钮则切换到细调模式Fine指示灯点亮此时亮度按1%为一个调节单位。



5、色温调节

按下3200K/5600K按钮可以对色温进行切换,通过改变两者之间的亮度比例得到3200K至5600K之间的色温。按下此按钮当指示灯在3200K上点亮时则此时旋转亮度调节旋钮就可以对3200K色温的灯进行调节；再按一下此按钮指示灯切换到5600K上点亮此时旋转亮度调节旋钮就可以对5600K色温的灯进行调节。



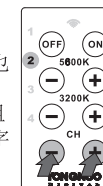
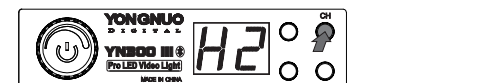
6、电量测试

按下Batt电量测试按钮，此时的读数为电池剩余电量的百分比，电量的读数可分为P0-P9分别就是0%-90%，下图显示读数为P3则相对电量为30%（注：低亮度时测试与高亮度时测试剩余电量是不相同的，测的是当前亮度下，可以使用时间的长短）。



7、频道切换

按下频道切换按钮CH，可切换遥控接收频道，显示屏上出现H1到H8，假设此时摄像灯的频道切换至H2(如下图),则也将遥控器的频道调至CH2发射频道(如右图),此时遥控器就可以调节摄像灯了。如您购买多台此型号的摄像灯，可以分组控制亮度与开关，最多可分8组。（遥控器面板上有1-8的数字每个数字则对应相应的频道，通过CH+/CH- 来切换频道）。

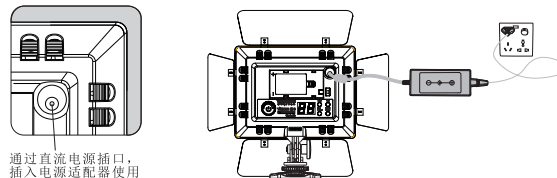


通过调节遥控器的CH+/CH-将遥控器调到跟您想控制的摄像灯相同的频道

8、外接电源供电

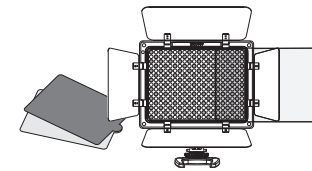
可选配永诺电源适配器，以获得摄像灯的长时间工作。当使用外接电源时，摄像灯将自动切断电池供电且不对电池充电。电源接口为内正外负，输入电压为12伏，电流为5安。

注：如使用其他电源适配器造成的产品故障，不予保修。



四、更换色温板

本产品附带2块色温板，从产品侧面色温片卡槽插入即可使用，满足您在不同的环境下使用。



五、遥控调光模式

产品附带的无线遥控器可以调节本产品的亮度及开关，遥控距离可达15米。

六、手机APP遥控

本产品支持手机APP遥控摄像灯,可以从永诺官网下载或通过扫描彩盒二维码点击下载，手机APP将不间断更新,请关注永诺官网手机APP最新版本信息，以获得更好的遥控体验。

七、产品规格

光源	300颗LED灯珠	光照角度	55°
色温	3200K-5600K	手机遥控距离	小于15米
输出功率	18瓦	遥控距离	小于15米
流明值	2325LM	重量	650克
平均寿命	50000小时	体积	173*153*46毫米
		电源	1个锂电池或外接12伏5安直流电源

所含物品：摄像灯（1）、遥控器（1）、手柄（1）、说明书（1）、色温板（2）、灯脚（1）、微型底座（1）
注：如有缺失请与经销商联系

八、故障分析及排除

在使用过程中，您可能遇到以下问题：

故障	原因	处理方法
打开电源开关完全无反应	电池电量不足 电路板损坏	使用新电池或外接电源使用 返厂维修
亮度不足，调至最亮仍然很暗	电池电量不足	使用新电池或充电后使用
测试电量不准确，调高亮度时显示低电量，调低亮度后电量又满格了	电池电量测试所指示的是，当前亮度下能使用的时间长短。调高亮度后，需要的电量更多，所使用的时间变短，故电量显示变少了	属于正常现象，无需处理
无法遥控摄像灯	距离太远 遥控器与摄像灯不在同一个频道上	遥控的距离在15米内 参照说明书“频道切换”重新设置频道
遥控器上面的指示灯亮度变暗	电池电量不足	更换2个AAA电池

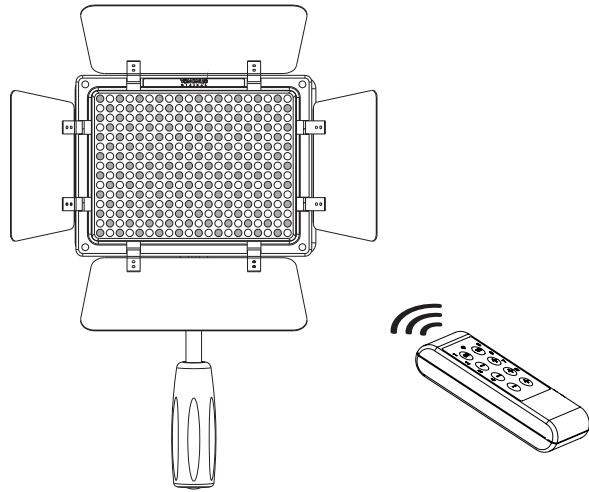
本手册中的功能是依据本公司的测试条件获得，设计和规格如有变更，恕不另行通知。

深圳市永诺摄影器材股份有限公司
地址：深圳市坪山区坑梓街道深福保现代光学厂区A座
电话：（86）0755-83762448
传真：（86）0755-83762765
网址：www.hkyongnuo.com
生产地址：深圳市坪山新区坑梓街道锦绣中路14号
深福保现代光学厂区A栋厂房
售后电话：400-001-3888

YN300 III

Pro LED Video Light

User Manual

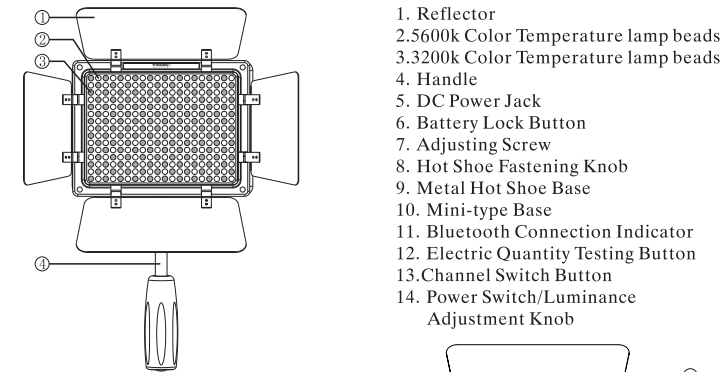


Before using this product, please read this user manual carefully and keep it properly for reference.

Summary

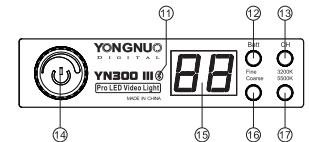
First of all, thank you for using the YN300 III LED video light. This video light is formed by 150 LED lamp beads with 3200K color temperature and another 150 LED lamp beads with 5600k color temperature, which are high-quality lamp beads of extra-large luminous chips, with higher luminance in same energy consumption. The color temperature can be adjusted from 3200K-5600K as needed, with more practical use; In addition, it adopts the Yongnuo proprietary LED driving technology, definitely not appear the corrugated, stroboscopic and other negative phenomena when shooting; It adopts the encoder digital dimming mode, thus the video light can be dimmed accurately and reliable; Equipped with 8 channel grouping feature; Besides, it can remote control through the remote controller or mobile phone, control the output power and realize other functions of the video light.

I. Product Structure

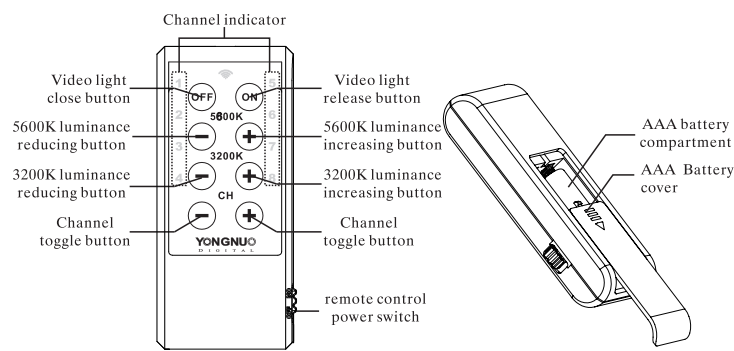


1. Reflector
2. 5600k Color Temperature lamp beads
3. 3200k Color Temperature lamp beads
4. Handle
5. DC Power Jack
6. Battery Lock Button
7. Adjusting Screw
8. Hot Shoe Fastening Knob
9. Metal Hot Shoe Base
10. Mini-type Base
11. Bluetooth Connection Indicator
12. Electric Quantity Testing Button
13. Channel Switch Button
14. Power Switch/Luminance Adjustment Knob

15. LED Digital Display Screen
16. Coarse/Fine adjusting Switch Button
17. 3200K/5600K Color Temperature Switch Button



Remote Controller Structure



II. Introduction

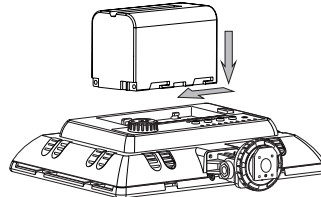
1. Equipped with multi-channel wireless remote control, which can off-camera adjust the luminance and power switch, allows you operate more easily.
2. APP can be downloaded from the official website, control the LED video light through the mobile phone, read the current luminance and channel of the LED video light. It can respectively control 8 groups of luminance and power switch of the video light, allows you control the LED video light as needed.
3. YN300 III is formed by 150 LED lamp beads with 3200k color temperature and another 150 LED lamp beads with 5600k color temperature, which are high-quality lamp beads of extra-large luminous chips, with higher luminance in same energy consumption. The color temperature can be adjusted from 3200-5600K as needed, with more practical use.
4. Adopts the Yongnuo proprietary LED driving technology, definitely not appear the corrugated, stroboscopic and other negative phenomena when shooting.
5. YN300 III adopts the encoder digital dimming which can be separately adjusted to rough dimming and fine dimming modes, more convenient to use.
6. YN300 III adopts LED digital display screen, the power output will be more intuition.
7. Supports external DC power input, which convenient for your long shooting (the power adapter is optional).
8. Provides two color temperature plates, suitable for use under different environments.

III. Installation and fixed

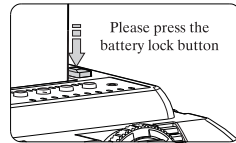
1. Install Battery

When install the lithium battery, please put the battery into battery container in the direction shown by the arrow.

Note: NP-F series battery is applicable, please remove the battery when not in use.

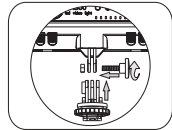


- b. When removing the lithium batteries, please press the battery lock and then take out the lithium batteries.

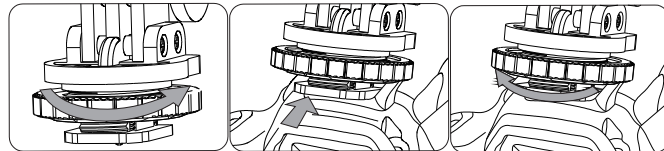


2. Camera Lamp Installation

First fasten the lamp base to the bottom of the product with the adjusting screw and then adjust the angle of the lamp as needed.

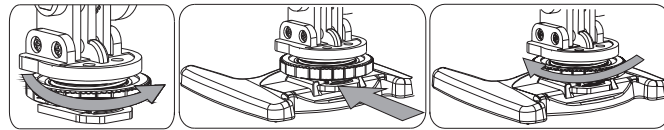


3. The camera lamp can be fastened as the following methods according to your requirement:
 - a. Fix on the DSLR/Camera hot shoe.



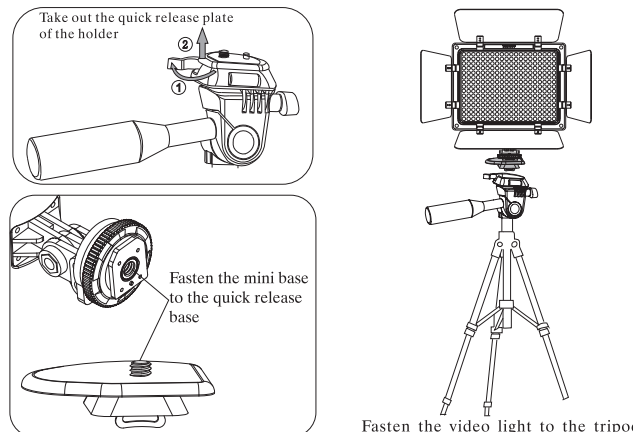
- ① Screw the hot shoe fastening knob to the top in the direction of the arrow.
- ② Insert the lamp into the camera/camera hot shoe base in the direction of the arrow.
- ③ Tighten up the hot shoe knob in the direction of arrow.

- b. Place it on the desktop or on a plane, and use it with the miniature stand attached.



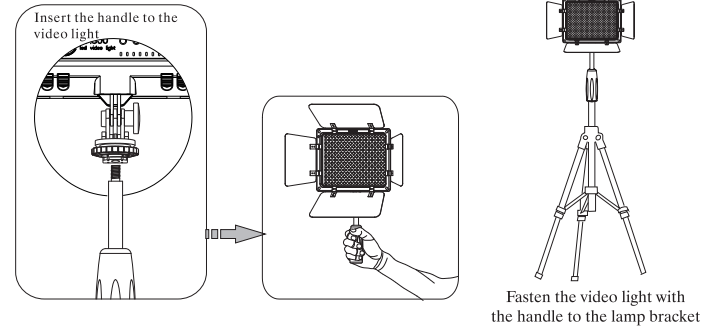
- ① Rotate the hot-shoe lock knob to the top in the direction of the arrow.
- ② Push the metal hot-shoe on the lamp foot in the miniature stand in the direction of the arrow.
- ③ Screw up the hot-shoe lock knob in the direction of the arrow.

- c. Fasten the video light to the tripod directly



Fasten the video light to the tripod

- d. Fasten the video light to the handle attached



Fasten the video light with the handle to the lamp bracket

4. Start-up and adjust the brightness

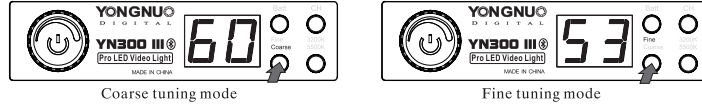
- a. Press the power switch and the LED camera light lit, rightwards rotate to increase the luminance, leftwards rotate to reduce the luminance.



adjust the luminance by rotation

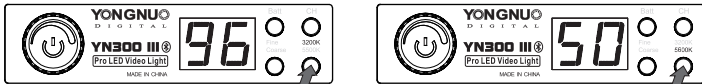
- b. Fine/Coarse Button

Divided into coarse and fine adjusting mode, which will be more convenient for use. Press the Fine/Coarse button to conduct to Fine/Coarse adjustment, when the indicator light of Coarse bright, it will enter into coarse adjusting mode, the luminance will be adjusted with 10% as an adjusting grade. Then press the button to switch to fine adjusting, the luminance will be adjusted with 1% as an adjusting grade.



5. Color temperature Adjustment

Press the 3200K/5600K button to switch the color temperature, the color temperature can be adjusted from 3200-5600K as needed. Press the button until the indicator light bright on the 3200k, rotate the luminance adjustment knob to adjust the light of 3200K color temperature; Then press the button to switch to until the indicator light bright on the 5600k, rotate the luminance adjustment knob to adjust the light of 5600K color temperature.



6. Test of Electric Quantity

Press the Batt electric quantity testing button, the readings show the percentage of remaining battery power of two batteries. The readings can be divided into P0-P9 nine grades, which indicates 0%-90% of the electric quantity. For example, the readings P3 as the picture shown indicates the electric quantity is 30% (Note: the power test with low luminance is different from that with high luminance, thus the service time is based on the current luminance).

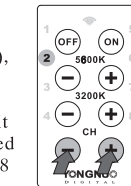


7. Channel Switching

Press the channel switching button CH can switch the remote receiver channels, the displayed screen appears H1 to H8, assuming the channel of video light switch to H2 (as the picture shown below), the channel of the remote controller will be also adjusted to CH2 transmit channel (as the right picture shown), then the remote controller can control the video light. If you have more than one unit of the same model, the luminance and power switch can be controlled by grouping, at most divided into eight groups. (There is numbers 1-8 on the remote controller panel, which corresponds to the corresponding channels, switch the channel through CH+ /CH-).



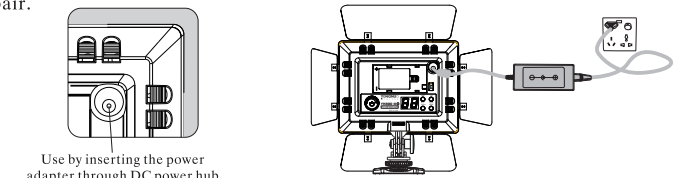
Adjust the channel of the video light to the channel needed



Adjust the channel of the remote controller to the same channel as the video light by adjusting CH+ /CH- of the remote controller

8. External Power Supply

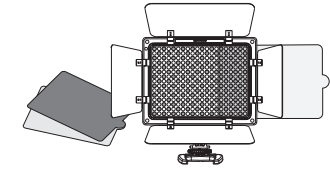
It is recommended to use YONGNUO power adapter with YN300 III to obtain lasting service time. When using external power supply, the video light will stop the battery power supply automatically and will not get the battery charged. The external power supply interface outside is positive and the interface inside is negative. The input voltage is 12V and the electric current is 5A. Note: If YN300 III defective when it is used with power adapter of other brands, YN300 III will no longer be guaranteed for repair.



Use by inserting the power adapter through DC power hub

IV. Color Temperature Filters

YN300 III comes with two pieces of CT filters. Simply insert the CT filters into the side slot to meet your requirement in different circumstances.



V. Remote Dimming Mode

The wireless remote controller attached can adjust the luminous intensity and control the switches of YN300 III. The maximum remote controlling distance is up to 15 meters.

VI. Mobile APP Remote Control

The product supports mobile remote control, the APP can be downloaded from the YONGNUO official website or download through scanning the two-dimension code on the gift box, Moible phone APP will be updated continuously. Please pay attention to YONGNUO official website for latest version of APP to get better remote control experience.

VII. Product Specification

Light Source	300 LED beads	Luminance Angle	55°
Color Temperature	3200K-5600K	Mobile Phone Remote Control Distance	<15m
Output power	18W	Remote Control Distance	<15m
Lumen	2325LM	Weight	650g
Average Service Life	50000H	Size	173*153*46MM
		Power Supply	A lithium battery or external 12V5A DC power supply
Contents: Video light(1), Remote controller(1), Handle(1), User manual(1), Color plates(2), Light base(1), Micro base(1)			
Note: Should anything missing please contact your dealer			

VIII. Failure Analysis and Troubleshooting

When using this product, you may encounter the following problems:

Description	Cause	Troubleshooting
No reaction after power on	Low Battery	Install new batteries or connect external power supply
	Damaged circuit board	Depot repair
Inadequate or low luminance at the greatest luminous intensity	Low battery	Install new batteries or re-charge the batteries
Inaccurate battery capacity test; low battery in high luminance and full battery in low luminance.	The battery capacity indicates the length of time available for the use in the current luminance. Higher luminance required more power and the length of time available for use will be shortened, so the battery capacity shown gets lower	Normal phenomenon and no measure needed
The video light can't be controlled remotely.	Too far away	Ensure the remote control distance is no more than 15 meters
	Remote control and LED light are on different channels	pls refer to User Manual to reset channel
The pilot lamp on the remote controller is dimming	Low battery	Replace two AAA batteries

The functions in this manual are based on the test conditions our company. Further notice will not be given if the design and specifications change.