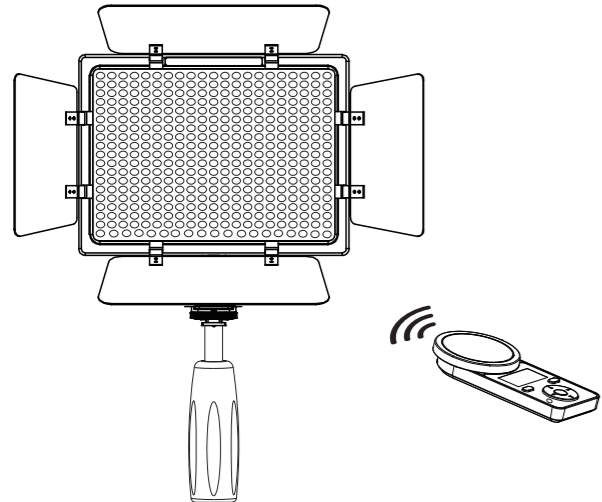


# YN300 IV 摄像灯 Pro LED Video Light 使用说明书



感谢您使用YN300IV摄像灯，在使用产品前，请认真阅读说明书并妥善保管以便查阅。

## 功能简介

- 1、本产品支持对NP-F系列电池充电，极速充电功率高达18瓦。摄像灯处于开机或关机状态下都能给电池充电，让摄像灯更具实用性。
- 2、YN300 IV支持三重电源输入，支持USB Type-C电源接口供电、NP-F系列电池和外接直流电源供电，满足你各类环境的使用需求。
- 3、YN300 IV摄像灯补光亮度和补光类型更加丰富；触摸调节RGB模式更简便，满足您的各类补光需要。
- 4、YN300 IV采用316颗高显指灯珠和60颗RGB全彩贴片灯构成，补光效果更具多样性。
- 5、YN300 IV配置多频道无线遥控器，可通过遥控器触摸屏轻松调节RGB模式，同时支持8组摄像灯的分频控制。
- 6、YN300 IV采用永诺专有的LED恒流驱动技术，拍摄时摄像灯绝不出现波纹、频闪等现象。
- 7、YN300 IV配置丰富的特效情景模式，更加贴近用户的创作需求。

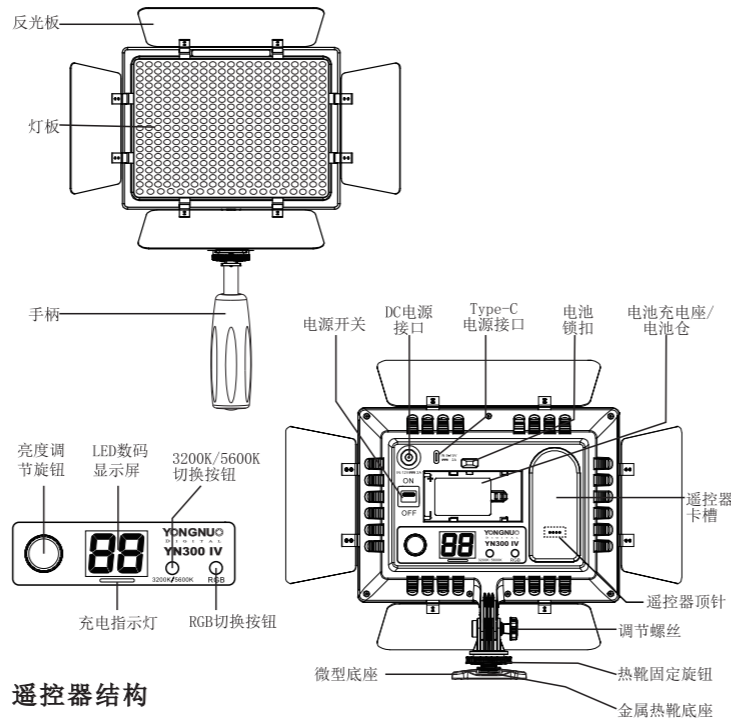
## 注意事项

- 1、使用时请将摄像灯处于通风环境，并保持摄像灯散热孔不被堵塞。
- 2、请勿私自拆卸产品，如产品出现故障须本公司或授权维修人员处理。
- 3、请勿在易燃易爆和暴露在雨中使用。
- 4、请勿让儿童接触本产品。

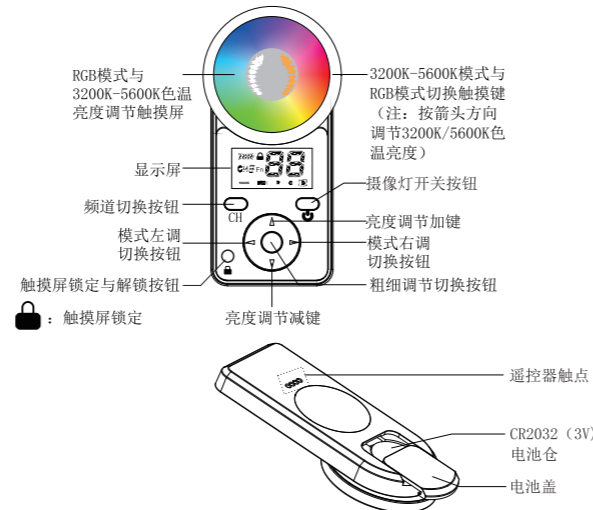
## 产品规格

色温版本	5600K色温版	3200K-5600K色温版
光源	316颗灯珠与60颗RGB贴片灯	
色温	5600K和RGB全彩	3200K-5600K和RGB全彩
输入功率	IN1: 24W (电源适配器输入), IN: 18W (Type-C电源输入)	
充电功率	18W	
100%照度	距离	0.3M 0.5M 1M 0.3M 0.5M 1M
	灯珠	17620Lux 8730Lux 2830Lux 15170Lux 7830Lux 2640Lux
	RGB	0.3M=6310Lux; 0.5M=2610Lux; 1M=685Lux.
重量	约1250克	
适用电池	1个NP-F系列锂电池	
外接电源	12伏2安直流电源, USB Type-C电源 18W	
体积	255*230*97毫米	
遥控距离	小于15米	
平均寿命	50000小时	
光照角度	55° 和 110°	
所含物品:	摄像灯 (1)、说明书 (1)、手柄 (1)、灯脚 (1)、微型底座 (1)、遥控器 (1)、收纳包 (1)、色温板 (2)。注: 如有缺失请与经销商联系。	

## 产品结构



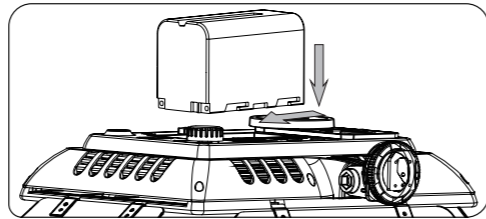
### 遥控器结构



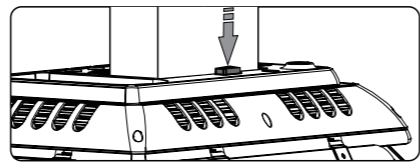
## 安装和固定

### 1、安装电池

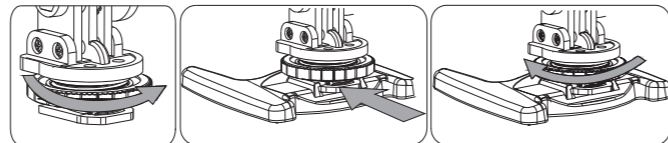
- a、安装锂电池时按箭头方向将电池装入卡槽。  
注: 适用NP-F系列电池，不使用时请取下电池。



- b、拆卸锂电池时，请先按下电池锁扣再取出锂电池。



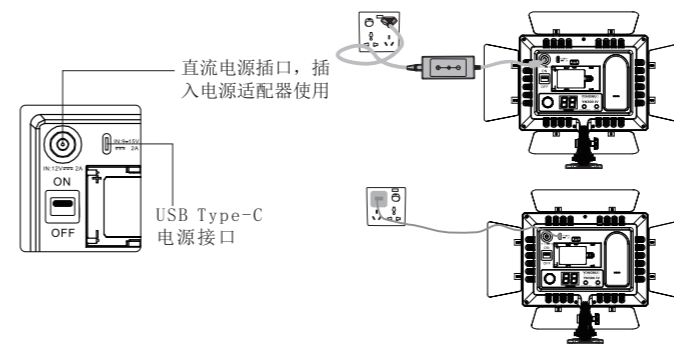
- c、通过附带的微型底座放置在桌面或者其他平面上使用。



- ①将热靴固定旋钮按箭头方向旋转到顶部
- ②将灯脚金属热靴按箭头方向推入微型底座
- ③按箭头方向将热靴固定旋钮拧紧

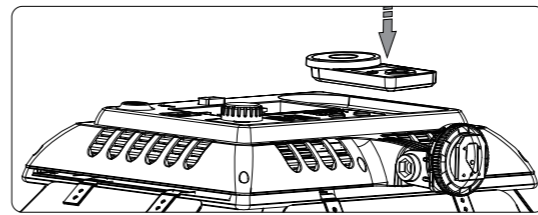
### 2、外接直流电源或USB Type-C电源供电

当使用外接电源时，摄像灯将自动切断电池供电且可以对电池充电。电源接口为内正外负，输入电压为12伏，电流为2安。使用USB Type-C电源时，输入电压为9-15伏，电流为2安。  
注: 如使用其他电源适配器造成的产品故障，不予保修。



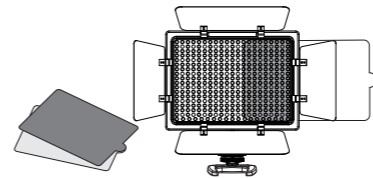
### 3、遥控器插入摄像灯卡槽使用

当遥控器无安装电池时将遥控器插入摄像灯卡槽让遥控器磁铁与摄像灯磁铁吸合便可使用，如需远程控制摄像灯，需给遥控器安装一个CR2032电池。



### 4、更换色温板

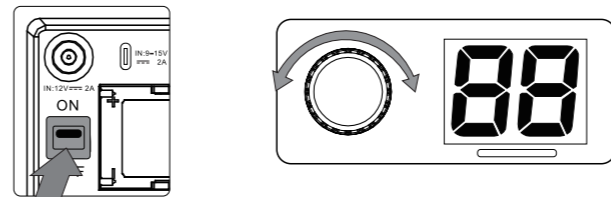
本产品附带2块色温板，从产品侧面色温片卡槽插入即可使用，满足您在不同的环境下使用。



## 使用方法

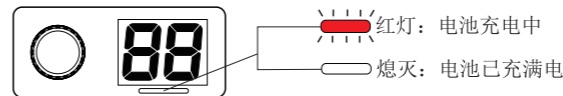
### 1、开关机及亮度调节

先安装电池或插入电源，拨动电源开关，LED摄像灯点亮，向右旋转增加亮度，向左旋转减小亮度。



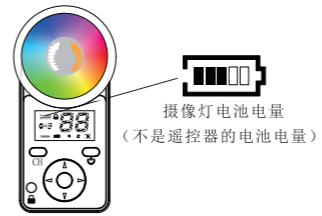
### 2、对电池充电功能

插入DC电源或USB Type-C电源，安装NP-F系列电池，LED摄像灯点亮时，进入慢充电模式。关闭摄像灯，进入极速充电模式。电池充电中指示灯亮红色，充满后指示灯熄灭。注: Type-C接口支持USB-PD3.0快充协议。



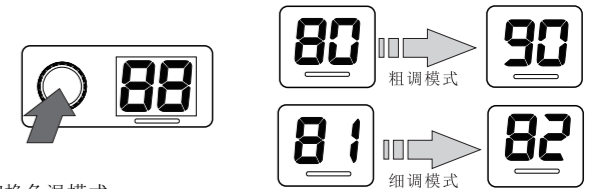
### 3、电量测试

将遥控器插入摄像灯卡槽，此时遥控器显示的是给摄像灯供电的电池电量；如下图电池的量为41%至60%。  
注: 低亮度时测试与高亮度时测试剩余电量是不相同的，测的是当前亮度下，可以使用时间的长短。



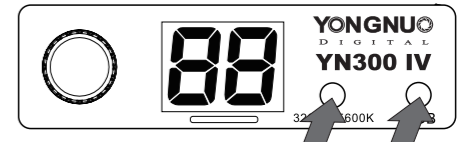
### 4、粗/细调模式

粗调、细调模式，使用更方便。按下亮度调节旋钮进行粗、细调节，切换到Coarse模式亮度按10%为一个调节单位，再按下此按钮切换到Fine模式亮度按1%为一个调节单位。注: 可通过遥控器切换粗/细调节模式。



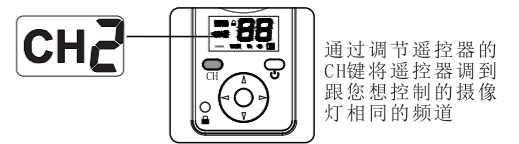
### 5、切换色温模式

按下3200K/5600K按钮切换色温模式，按下RGB按钮切换颜色模式。按钮指示灯将显示相应调节模式颜色。  
注: 3200K/5600K色温模式与RGB模式不能同时点亮。可通过遥控器切换色温模式。



### 6、频道同步与更改

- a、同步遥控器频道，将遥控器置入摄像灯卡槽，即完成频道同步，遥控器面板显示当前摄像灯各项数据，同步完成后可取下遥控远程操作。
- b、更改摄像灯频道，需在摄像灯电源开启情况下，且遥控器置于卡槽中，短按CH键进行频道更改。
- c、可对多台同型号摄像灯分组操作，最多可分8组；远程操控时，通过短按CH键切换频道控制对应组别摄像灯。



### 7、特殊场景补光模式

- a、长按遥控器CH按键2秒进入特殊场景模式，屏幕显示Fn00。
- b、短按遥控器左、右按键切换多种不同的模式
- c、短按遥控器粗/细调切换键暂停或启动特殊场景补光。
- d、按关机键或长按CH键退出。

Fn 00	闪电	Fn 16	火光场景
Fn 01	电影荧幕反光	Fn 17	红色闪
Fn 02	烛光	Fn 18	绿色闪
Fn 03	日出	Fn 19	蓝色闪
Fn 04	烟花	Fn 20	黄色闪
Fn 05	RGB色域快循环	Fn 21	紫色闪
Fn 06	RGB色域慢循环	Fn 22	青色闪
Fn 07	警车	Fn 23	睡眠暖色呼吸
Fn 08	救护车	Fn 24	温馨紫色呼吸
Fn 09	消防车	Fn 25	红色呼吸
Fn 10	狗仔队	Fn 26	绿色呼吸
Fn 11	频闪	Fn 27	蓝色呼吸
Fn 12	SOS	Fn 28	白灯呼吸
Fn 13	高山紧急求救信号	Fn 29	黄灯呼吸 (单色产品无此功能)
Fn 14	Party1 (节奏快)	Fn 30	3200K-5600K色温循环 (单色产品无此功能)
Fn 15	Party2 (节奏慢)		

### 8、手机APP遥控

本产品支持手机APP遥控摄像灯，可以从永诺官网下载或通过扫描礼盒二维码点击下载，手机APP将不间断更新，请关注永诺官网手机APP最新版本信息，以获得更好的使用体验。

## 故障分析及排除

在使用过程中，您可能遇到以下问题：

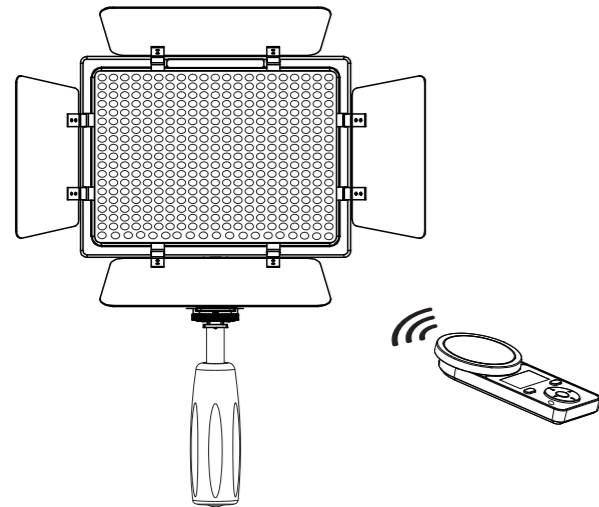
故障	原因	处理方法
打开电源开关完全无反应	电池电量不足 电路板损坏	使用新电池或外接电源使用 返厂维修
亮度不足，调至最亮仍然很暗	电池电量不足	使用新电池或充电后使用
测试电量不准确，调高亮度时显示低电量，调低亮度后电量又满格了	电池电量测试所指示的是:当前亮度下能使用的时间长短。调高亮度后，需要的电量更多，所使用的时间变短，故电量显示变少了	属于正常现象，无需处理
无法遥控摄像灯	距离太远	遥控的距离在15米内
遥控器按钮调节有反应，RGB触摸调节摄像灯无反应	遥控器电池电量较低	给遥控器更换新电池

本手册中的功能是根据本公司的测试条件获得，设计和规格如有变更，恕不另行通知。  
深圳市永诺摄影器材股份有限公司  
地址: 深圳市坪山区坑梓街道深福保现代光学厂区A座  
电话: (86) 0755-83762448  
传真: (86) 0755-83762765  
网址: www.hkyongnuo.com  
生产地址: 深圳市坪山区坑梓街道锦绣中路14号深福保现代光学厂区A栋厂房  
售后电话: 400-001-3888

# YN300 IV

## Pro LED Video Light

### User Manual



Thank you for using the YN300 IV LED video light. Please read the manual carefully and keep this user manual properly for reference.

### Function Introduction

1. This product supports charging NP-F series batteries, and the maximum charging power is up to 18W. The video light can charge the battery when it is turned on or off, making the video light more practical.
2. YN300 IV supports triple power input, USB Type-C bidirectional power interface power supply. NP-F series batteries and external DC power supply can meet your needs in various use occasions.
3. YN300 IV fill-in light types are more abundant; touch adjustment RGB mode is more convenient to meet your various fill-in light needs.
4. YN300 IV is made up of 316 high CRI LED beads and 60 RGB full-color SMD lights, brings you a variety of light-filling effects.
5. The YN300 IV is equipped with a proprietary multi-channel wireless remote control that easily adjusts the RGB mode via the remote control touch screen, making RGB mode adjustment easier. At the same time, it supports the frequency division control of 8 groups of video lights.
6. YN300 IV adopts YONGNUO proprietary LED constant-current drive technology, will not appear ripples or stroboscopic phenomena during the shooting.
7. YN300 IV is equipped with rich special effects and scene modes, which are more close to users' creation needs.

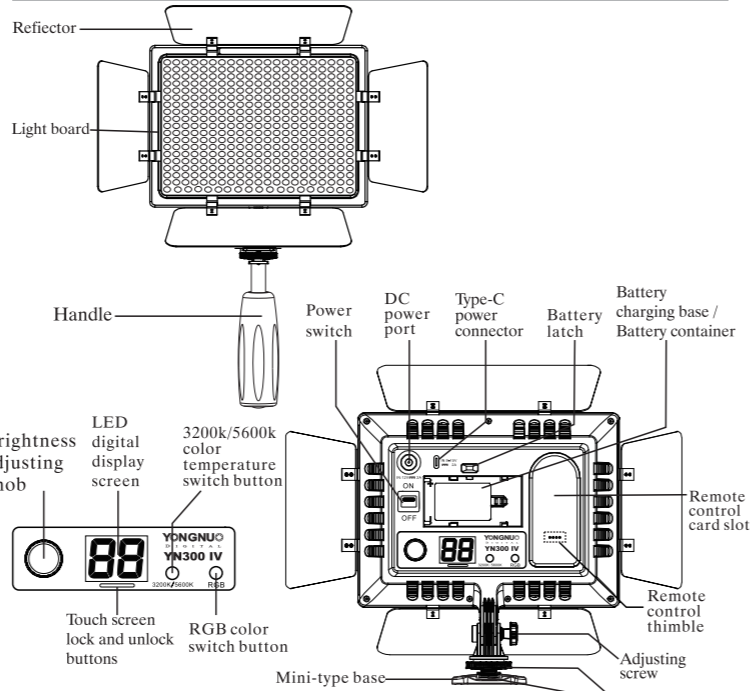
### precautions

1. This product should be used under the ventilated environment. Please make sure the heat emission hole won't be blocked when you are using this speed-lite.
2. Do not disassemble the product, maintenance or repair of this product should be carried through by technical maintenance personnel of our company or technical maintenance personnel authorized.
3. Do not use this product in flammable and explosive place, or where it can be exposed to moisture.
4. Please keep this product away from the children.

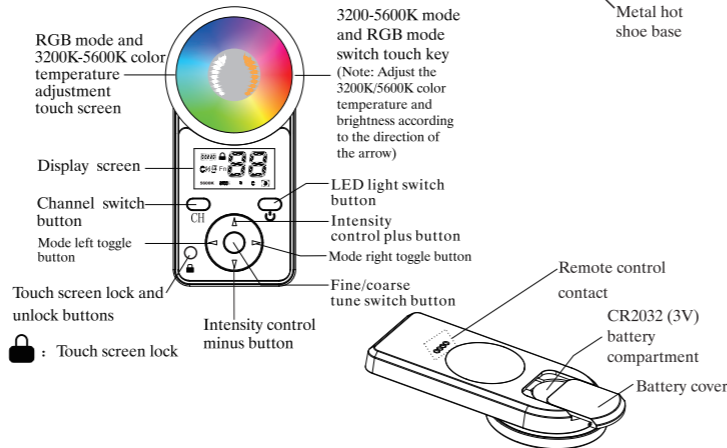
### Product Specificaion

Color temperature version	5600K color temperature	3200K-5600K color temperature
Light Source	316 LED lamp beads and 60 RGB SMD lamps	
Color Temperature	5600K and RGB full color	3200K-5600K and RGB full color
Input power	IN1:24W(AC adapter),IN:18W(Type-C)	
Charging power	18W	
100% illumination	Distance	0.3M 0.5M 1M 0.3M 0.5M 1M
	Lamp beads	17620Lux 8730Lux 2830Lux 15170Lux 7830Lux 2640Lux
	RGB	0.3M=6310Lux;0.5M=2610Lux;1M=685Lux.
Weight	About 1250G	
Compatible batteries	One NP-F series lithium batteries	
External power source	12V2A DC power supply, USB Type-C power supply 18W	
Size	255*230*97mm	
Control distance	< 15M	
Average Service Life	50000H	
Luminance Angle	55° and 110°	
Contents: Video light (1), User Manual (1), Handle (1), Light base(1), Micro base(1), Remote Controller(1), Storage bag(1), color temperature filter(2). Note: Please contact your dealer if anything missing.		

### Product Structure



### Remote Controller Structure

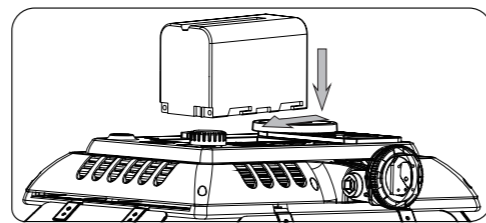


### Installation and fixed

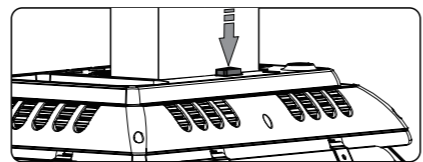
#### 1. Battery Installation

Install the batteries or insert the DC power supply, and then press the power switch, the LED video light lights up. Put the remote controller into the LED video light and use it to adjust the brightness.

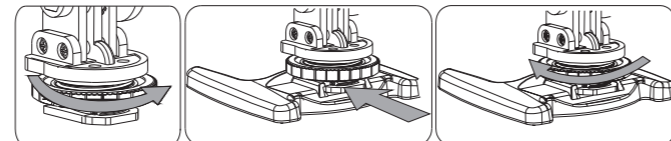
Note: NP-F series battery is applicable, please remove the battery when not in use.



b. When removing the lithium batteries, please press the battery lock and then take out the lithium batteries.



c. Place it on the desktop or on a plane, and use it with the miniature stand attached.

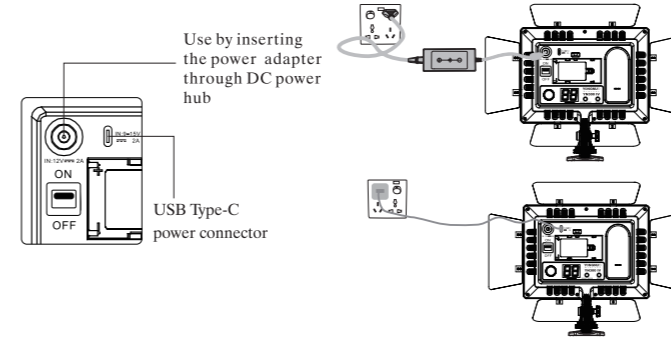


- ① Rotate the hot-shoe lock knob to the top in the direction of the arrow.
- ② Push the metal hot-shoe on the lamp foot in the miniature stand in the direction of the arrow.
- ③ Screw up the hot-shoe lock knob in the direction of the arrow.

#### 2. External DC power supply or USB Type-C power supply

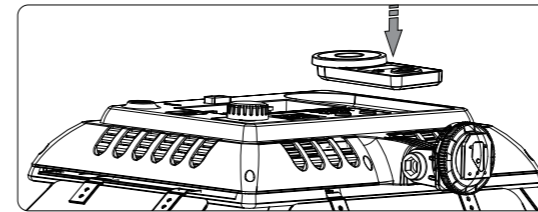
When using an external power supply, the video light will automatically cut off the battery power and charge the battery. The power interface is internally positive and externally negative, with an input voltage of 12V and a current of 2A. When using a USB Type-C power supply, the input voltage is 9-15V and the current is 2A.

Note: We do not provide warranty service for product failures caused by using non-original power adapters.



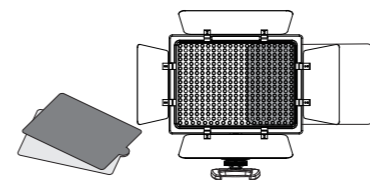
3. Put the remote control into the video light card slot to use.

When the remote-controller is not equipped with batteries, insert the remote-controller into the video card slot, you can use it when the remote control iron plate and the camera light magnet absorbed together. If remotely control the video light needed, install a CR2032 battery to the remote control.



#### 4. Color Temperature Filters

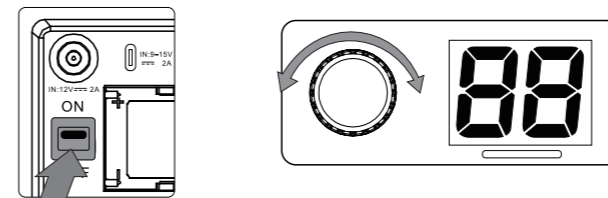
YN300 IV comes with two pieces of CT filters. Simply insert the CT filters into the side slot to meet your requirement in different circumstances.



### Method Application

#### 1. Startup & Shutdown Button

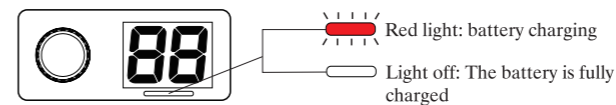
Install the batteries or insert the DC power supply, and then press the power switch, the LED video light lights up. Put the remote controller into the LED video light and use it to adjust the brightness.



#### 2. Charge the battery

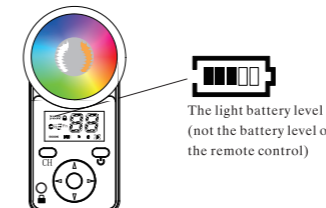
Insert the DC power supply or USB Type-C power supply, install the NP-F series battery, when the LED video light is on, enter the slow charging mode. Turn off the video light and enter the fast charging mode. The indicator light is red when the battery is charging. When the battery is fully charged, the indicator light will go out.

Note: Type-C interface supports USB-PD3.0 fast charging protocol.



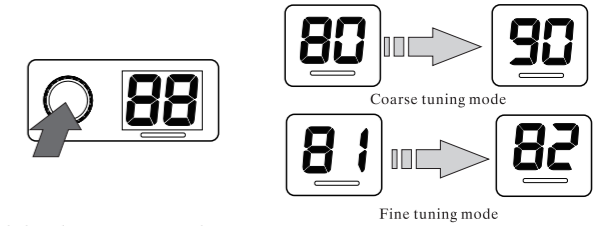
#### 3. Power test

Insert the remote control into the video light card slot, the remote control displays the battery power for the video light. The battery power is 41% to 60% as shown below.



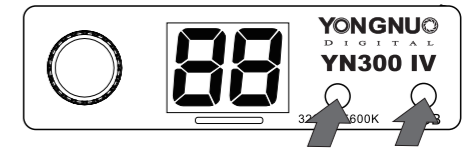
#### 4. Coarse/Fine adjusting Switch Button

Fine/Coarse Tune Mode Press fine/coarse tune button on the remote controller to switch the tune mode. When the tune mode is switched to coarse tune mode, the adjusting unit of the brightness is 10%; when it's fine tune mode, the adjusting unit is 1%. Note: The coarse/fine adjustment mode can be switched through the remote control.



#### 5. Switch the color temperature mode

Press the 3200K/5600K button to switch the color temperature mode, press the RGB button to switch the color mode. The button indication lamp will display the corresponding adjustment mode color. Note: 3200K/5600K color temperature mode and RGB mode cannot be turned on at the same time. The color temperature mode can be switched by the remote control.

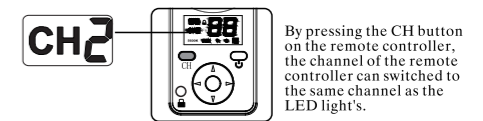


#### 6. Channel Synchronization/Selection

a. To synchronize the channels of the remote control, put the remote control into the card slot to complete the channel synchronization. At this time, the remote control displays the data of the video light. After the remote control channel synchronization is completed, you can remove the remote control to control the video light.

b. To change the channel of the video light, first turn on the power of the video light, put the remote control into the card slot, and short press CH to change the channel.

c. You can control the video lights of the same model in groups. Up to 8 groups are supported. Short press the CH button to switch the corresponding channel.



#### 7. Special scene fill light mode

a. Press and hold the CH button on the remote control for 2 seconds to enter the special scene mode, the screen displays Fn00.

b. Short press the left and right buttons on the remote control to switch between different modes.

c. Short press the coarse/fine adjustment switch on the remote control to pause or start special scene fill light.

d. Long press the remote control CH button or shutdown button to exit. Note: The special fill light mode is constantly being updated. For details of the special fill light mode, please refer to the product purchase page.

Fn 00	Simulated lightning	Fn 12	SOS	Fn 24	Warm purple breathing light
Fn 01	Simulated film screen reflection	Fn 13	Alpine emergency signal	Fn 25	Red breathing light
Fn 02	Simulated candlelight	Fn 14	Party1 (fast pace)	Fn 26	Green breathing light
Fn 03	Simulated sunrise	Fn 15	Party2 (slow pace)	Fn 27	Blue breathing light
Fn 04	Simulated fireworks	Fn 16	Simulated fire scene	Fn 28	White breathing light
Fn 05	RGB color gamut fast loop	Fn 17	Red light flash	Fn 29	Yellow breathing light (Single color products do not have this function)
Fn 06	RGB color gamut slow loop	Fn 18	Green light flash	Fn 30	3200K~5600K color temperature cycle (Single color products do not have this function)
Fn 07	Simulated police car	Fn 19	Blue light flash		
Fn 08	Simulated ambulance	Fn 20	Yellow light flash		
Fn 09	Simulated fire truck	Fn 21	Purple light flash		
Fn 10	Simulated paparazzi	Fn 22	Cyan light Flash		
Fn 11	Strobe	Fn 23	Warm breathing light		

#### 8. Mobile APP Remote Control

The product supports mobile remote control, the APP can be downloaded from the YONGNUO official website or download through scanning the two-dimension code on the gift box, Mobile phone APP will be updated continuously. Please pay attention to YONGNUO official website for latest version of APP to get better remote control experience.

### Failure Analysis and Troubleshooting

When using this product, you may encounter the following problems.

Description	Cause	Troubleshooting
No reaction after power on	Low Battery	Install new batteries or connect external power supply
	Damaged circuit board	Depot repair
Inadequate or low luminance at the greatest luminous intensity	Low battery	Install new batteries or re-charge the batteries
Inaccurate battery capacity test; low battery in high luminance and full battery in low luminance.	The battery capacity indicates the length of time available for the use in the current luminance. Higher luminance required more power and the length of time available for use will be shortened, so the battery capacity shown gets lower	Normal phenomenon and no measure needed
The mobile phone could not remote control the video light	Too far away	The remote control distance is within 15 meters
When press the remote control button, the light responds, the RGB touch adjustment, the light does not respond.	Remote controller has a low battery	Replace the remote controller with a new battery

The functions in this manual are based on the test conditions our company. Further notice will not be given if the design and specifications change.