

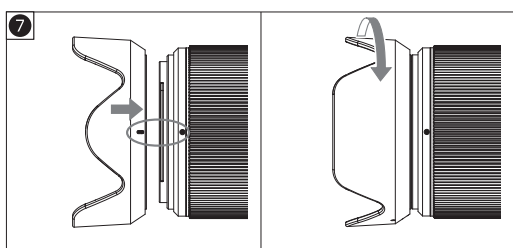
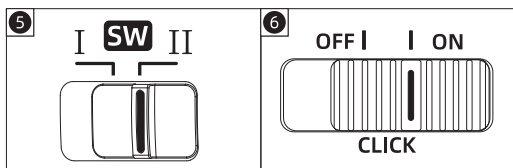
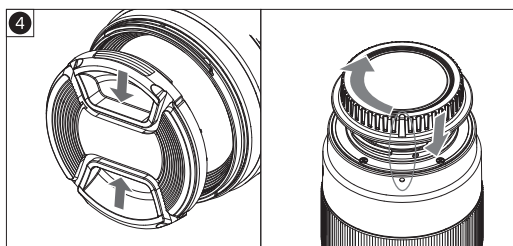
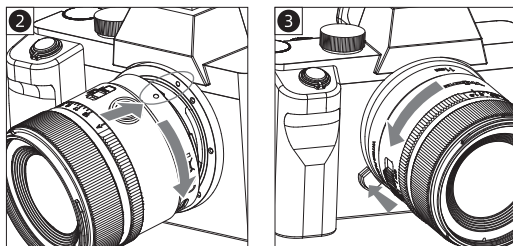
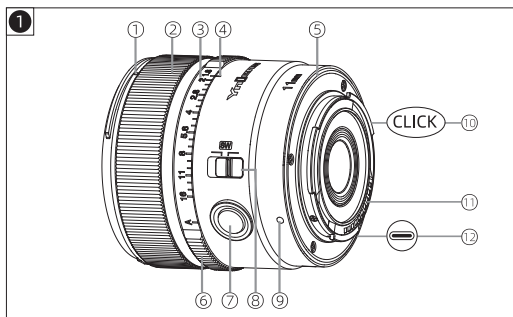
超广角定焦镜头 YN11mm F1.8S DA DSM WL

使用说明书

for S

感谢您购买永诺产品！

在使用本产品前，请务必先仔细阅读本手册，以确保您能正确、安全使用。请妥善保管好本手册，以便日后能随时查阅。
在无特殊说明的情况下，本说明书默认镜头已正常安装在相机上。



安全注意事项

- 请勿透过镜头或相机观看太阳或明亮的光源，否则会使视力受损。
- 无论镜头是否装在相机上，请勿将没有盖镜头盖的镜头置于太阳下，否则镜头可能汇聚光线并引发火灾。不使用时请盖上镜头盖。
- 请将镜头放置在儿童接触不到的地方。
- 请勿自行拆开或改造镜头。

部件说明 ①

- | | | | |
|-----------|-----------|--------|---------|
| ① 遮光罩安装标记 | ② 手动对焦环 | ③ 光圈刻度 | ④ 光圈标记 |
| ⑤ 橡胶圈 | ⑥ 光圈环 | ⑦ Fn按钮 | ⑧ 功能开关 |
| ⑨ 镜头安装标记 | ⑩ CLICK开关 | ⑪ 电子触点 | ⑫ USB接口 |

安装与卸下镜头

详细安装及卸下镜头的步骤请参阅相机使用说明书。

安装镜头 ②

将镜头上的白色安装标志对准相机上的相同安装标志，然后以顺时针方向旋转镜头，直到听到“咔”的一声为止。

卸下镜头 ③

按下相机上的镜头释放按钮，逆时针方向转动镜头直至停止，然后卸下镜头。

- 卸下镜头后，请将镜头后端朝上放置，以避免划伤镜头表面和电子触点。
- 如果电子触点被弄脏或沾有指纹，请用柔软的布将其擦净。
- 取下镜头时，需要装上防尘盖 ④。请正确安装防尘盖：将防尘盖上的安装标记对准镜头上的相同安装标记，朝顺时针方向旋转。要取下镜头盖则朝逆时针方向旋转。

SW功能开关 ⑤

根据需求，可将镜头上的“SW功能开关”分配为对焦模式开关或者无线遥控开关使用。

1. 作为对焦模式开关

a. 分配方法：

- ① 关闭相机电源；
- ② 将镜头SW开关设在“II”；
- ③ 保持按住镜头上的Fn按钮不放并立即开启相机电源，直至相机屏幕显示光圈数值再松开Fn按钮。

b. 成功将SW开关分配为对焦模式开关后，SW开关设为“I”表示开启AF，设为“II”表示开启MF。

2. 作为无线遥控开关

a. 分配方法：

- ① 关闭相机电源；
- ② 将镜头SW开关设在“I”；
- ③ 保持按住镜头上的Fn按钮不放并立即开启相机电源，直至相机屏幕显示光圈数值。

b. 成功将SW开关分配为无线遥控开关后，SW开关设为“I”表示开启无线遥控功能，设为“II”表示关闭无线遥控功能。

远程遥控

本产品配合我司镜头遥控器BR-L1使用，可实现远程控制镜头对焦、光圈调整、A-B点对焦以及录像启停等功能。

首次使用遥控器需先完成配对。镜头进入配对模式的方法：关闭相机电源，将SW开关设为“I”，按住镜头上的Fn按钮并立即开启相机电源，直至相机光圈值强制跳变为F8并加亮显示，再松开Fn按钮。

遥控器及更多远程遥控镜头的操作方法，请参考遥控器B-L1说明书。

- 在使用远程遥控功能时，必须先将SW功能开关设为无线遥控开关，并将SW开关设为“I”。

光圈环

a. 将光圈刻度“A”转至与光圈标记对齐，此时镜头光圈值将由相机控制。

b. 转动光圈环，可在F1.8~16之间调整进光量。

CLICK开关 ⑥

光圈环支持静音操作。将CLICK开关设为“OFF”可实现光圈环静音操作（适合视频录制），将开关设为“ON”时转动光圈环将会发出“哒哒”的声音。

使用Fn多功能按钮

通过相机“对焦保持按钮”自定义设置，可为Fn自由分配所需功能。合理分配Fn按钮可快速调出某一功能菜单或执行某一快捷操作，以减少翻找相机菜单的时间，提高创作效率。

Fn自定义功能设置需相机支持，具体详情请参阅相机说明书。

遮光罩 ⑦

安装遮光罩可以保护镜头和阻挡可能导致杂光或鬼影的散射光线。

安装：将遮光罩上的安装标记与镜头前端的安装标记对齐，然后顺时针转动遮光罩直至停止。

拆卸：逆时针旋转遮光罩直至停止，然后取下遮光罩。

- 遮光罩可反向安装以便存放。
- 遮光罩安装不当，可能会遮挡部分图像。
- 使用内置闪光灯或使用相机上安装的外部闪光灯时，建议取下遮光罩，以免挡住闪光灯光线。

滤镜镜（需另购）

可在镜头前端的螺纹上安装一个直径58mm的滤镜镜。

- 每次只能安装一个滤镜镜。

固件升级

本产品支持固件升级，您可以登录永诺官方网站下载最新升级软件或固件文件。使用前，建议升级到最新固件以获取最佳使用体验。更多详细操作请参阅《固件更新操作指南》。

保养及存放注意事项

- 应避免撞击或直接放置在酷热、极冷或潮湿的环境下。
- 如果长期存放，请选择阴凉清爽及通风良好的地方。建议远离防虫丸或防虫丸发出气体的地方，以保护镜头的镀膜层。
- 镜片上的污垢或者指纹可用柔软微湿的镜头布或镜头纸清洁，切勿使用溶剂、苯或其他有机清洁剂。
- 本镜头并不防水，下雨或者接近水源使用时须特别小心，切勿弄湿。倘若内部机件、镜片及电子零件因弄湿受损，很可能无法维修。
- 温度突变可能会令镜头表面凝结雾气或水珠，因此在天气寒冷时进入暖和的室内环境，最好将镜头放在密封的塑胶袋内，直至镜头温度接近室温为止。将镜头从温暖的环境拿到寒冷的环境中时，也请使用同样的方法。

故障排除

1. 手动对焦时已经调至最清晰，但成像依然是模糊的

请检查镜头两端镜片是否存在指纹或污垢，如果存在请使用柔软微湿的镜头布或擦镜纸擦拭干净。

2. 无法自动对焦

进行AF拍摄时，请确保相机和镜头的对焦模式均已设为AF。

3. 镜头装相机上通信异常

请确保镜头安装到位；请检查镜头触点和相机触点是否被弄脏或划伤，如果被弄脏请用柔软的布将其擦净，如果被划伤请返厂维修。

4. 其他异常情况

请尝试关闭相机电源并取出相机电池，然后装回电池再重启电源试试。如果仍有异常，请致电永诺售后服务中心400-001-3888或发送邮件至service@hkyongnuo.com进行咨询。

规格

镜头焦距		11mm
视角范围	对角线	105°
	垂直	76°
	水平	94°
卡口		E卡口
画幅		APS-C
镜头结构		9组10片
光圈叶片		7片
最小光圈		F/16
最近对焦距离		0.15m
最大放大倍率		0.15x
驱动系统		数控步进马达
有效遥控距离		约30m
滤镜镜直径		58mm
最大直径及长度		约φ66×69mm
重量		约260克

■ 镜头长度是指从安装面到镜头前端的距离。

■ 除特别说明外，尺寸和重量只适用于镜头。

■ 光圈设置可以由相机指定。

本说明书最新电子版可在永诺官方网站<https://www.hkyongnuo.com/xyzyc>获取。

本使用说明书中的功能及数据均是依据本公司的测试条件获得。设计和规格如有变更，恕不另行通知。

深圳市永诺电器有限公司
地址：深圳市坪山区坑梓街道秀新社区锦绣东路14号A1栋209A座A2栋2-5楼
电话：(86)0755-33001023 网址：www.hkyongnuo.com
售后电话：400-001-3888 邮箱：service@hkyongnuo.com
生产地址：深圳市坪山区坑梓街道锦绣中路14号深福保现代光学厂区A栋厂房

YN11mm F1.8S DA DSM WL ULTRA-WIDE ANGLE PRIME LENS

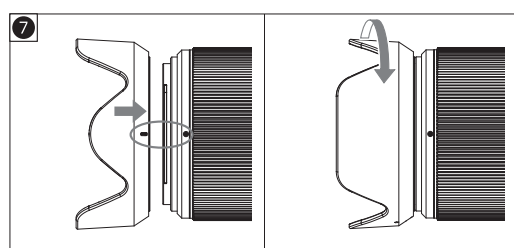
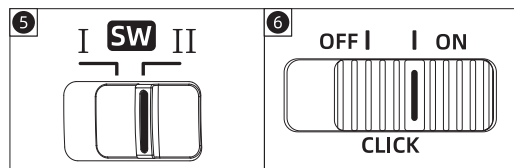
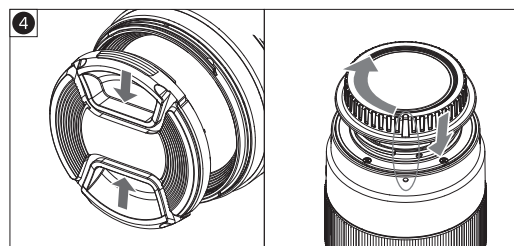
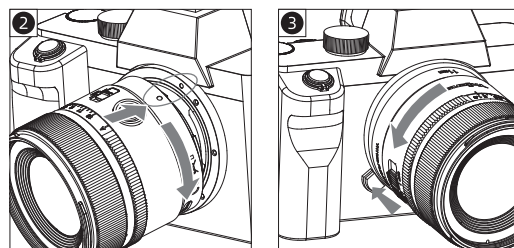
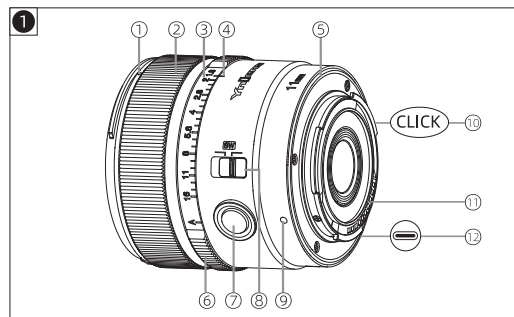
USER MANUAL

for S

Thank you for purchasing Yongnuo product!

Before using the product, please read the instruction manual carefully to ensure that you use the product properly. Please keep the manual properly for future reference.

Unless otherwise specified, this manual defaults that the lens is installed on the camera normally.



Safety Precautions

- * Please do not look at the sun or bright light source through the lens or camera, otherwise it might cause visual impairment.
- * Whether the lens is mounted on the camera or not, please do not place the lens under the sun without lens cap covered, otherwise the lens might gather light and cause a fire. Please cover the lens with lens cap when not in use.
- * Please keep the lens out of reach from children.
- * Please do not disassemble or modify this product.

Nomenclature ①

- ① Lens hood mounting index
- ② Focusing ring
- ③ Aperture scale
- ④ Aperture index
- ⑤ Rubber ring
- ⑥ Aperture ring
- ⑦ Fn Multi-function button
- ⑧ Function switch
- ⑨ Mounting index
- ⑩ Click switch
- ⑪ Electronic contact
- ⑫ USB interface

Mounting and Detaching the Lens

For details on mounting and detaching the lens, please refer to your camera's user manual.

Mounting the Lens ②

Please align the white mounting index on the lens with the same mounting index on the camera, then rotate the lens clockwise until 'click' is heard.

Detaching the Lens ④

Press the lens release button on the camera, rotate the lens anticlockwise until stop, then detach the lens.

- * After detaching the lens, please place the lens with the rear end up to prevent lens and electronic contact from getting scratched. If the electronic contact get dirty or contaminated with fingerprints, please clean them with soft cloth.
- * When detaching the lens, please cover it with dust cap ⑦. Please mount the dust cap properly: align the mounting mark on the dust cap with the same mounting mark on the lens, then rotate clockwise. If you need to detach the lens cap, rotate it anticlockwise.

SW function switch ⑤

According to the requirements, the "SW function switch" on the lens can be assigned to the focus mode switch or the wireless remote control switch.

1. As a focus mode switch

a. Setting method:

- ① Turn off the camera power;
- ② Set the lens SW switch to "II";
- ③ Hold down the Fn button on the lens and immediately turn on the camera power until the camera screen shows the aperture value.

b. After the SW switch is assigned as the focus mode switch:

"I" indicates AF, "II" indicates MF.

2. As a wireless remote control switch

a. Setting method:

- ① Turn off the camera power;
- ② Set the lens SW switch to "I";
- ③ Hold down the Fn button on the lens and immediately turn on the camera power until the camera screen shows the aperture value.

b. After the SW switch is assigned as a wireless remote control switch. If the SW switch is set to I, the wireless remote control function is enabled. If the SW switch is set to II, the wireless remote control function is disabled.

Remote control

This product is used with our lens remote control BR-L1, which can realize the functions of remote control lens focus, aperture adjustment, A-B point focus and video start and stop.

When using the remote control for the first time, complete the pairing first. To enter the pairing mode of the lens, turn off the power of the camera, set the SW switch to "I", hold down the Fn button on the lens and immediately turn on the power of the camera until the camera aperture value is forced to F8 and illuminated, and then release the Fn button.

For remote control and more remote control lenses, please refer to the B-L1 manual

- * Before using the remote control function, you must define the SW switch as the wireless switch and set the SW switch to I.

Aperture ring

- a. Turn the aperture scale "A" to align with the aperture mark, and the lens aperture value will be controlled by the camera.
- b. Rotate the aperture ring to adjust the light intake between F1.8 and 16.

Click switch ⑩

The aperture ring supports silent operation. Setting the CLICK switch to "OFF" can mute the operation of the aperture ring (suitable for video recording), and turning the aperture ring when the switch is set to "ON" will make a "rattling" sound.

Fn multi-function button

Through the camera "focus hold button" custom settings, you can freely assign the required functions for Fn button. Reasonable allocation of Fn button can quickly call up a function menu or execute a shortcut operation, so as to reduce the time of searching the camera menu and improve the creative efficiency.

Focus hold button function settings need to be supported by the camera, please refer to the camera manual for details.

Lens Hood ⑦

Mounting lens hood can protect lens and block scattered rays which might cause stray light or ghosting.

Mounting : Align the mounting index on the lens hood with the mounting index on the front lens, then rotate the lens hood clockwise until stop.

Detaching : Rotate the lens hood anticlockwise until stop, then take down the hood.

- * The hood can be reverse-mounted on the lens for storage.
- * If the lens hood is mounted improperly, part of the picture may be blocked.
- * When using built-in-flash or on-camera flash, it is suggested to take out the hood so as not to block the flash light.

Filters(Sold Separately)

You can attach a filter in 58mm diameter to the filter mounting thread on the front of the lens.

- * Only one filter can be attached each time.

Firmware Upgrade

This product supports firmware upgrade, please visit website <https://www.hkyongnuo.com/xzyzc> to download the latest upgrade software and firmware. Before use, we suggest you upgrade the lens to the latest firmware for the best user experience.

Upgrade method: Take the lens off the camera, connect the lens with the computer via the USB Type-C cord, start the upgrade software and complete the upgrade operations according to the software prompts.

Maintenance and Storage Precautions

- * Please avoid collision or placing the lens directly in extremely hot, cold and humid environment.
- * For long storage, please choose a cool, dry and well-ventilated place. Please keep away from pest control pills or places where the pest control pills give off gas, to protect the lens coating.
- * For cleaning the dirt or fingerprint, you can use soft and slightly wet lens cleaning cloth or lens paper, please do not use solvents, benzene or other organic cleaners.
- * This lens is not water-proof, please be careful when it rains or being placed near water source, please do not get it wet, if the inner parts, lens or electronic parts get damaged by damp, it may be unable to repair.
- * Temperature jump may result in condensation of mist and water-beads, therefore, when you get in a warm indoor environment in cold weather, you had better put the lens in sealed plastic bag to wait until the lens temperature is close to room temperature. Please do the same when the lens is taken from warm to cold environment.

Troubleshooting

1. In manual focus, the image quality is adjusted to the clearest, but the image is still blurry.

Please check if there are fingerprints or dirt on the front and rear lens, if so, please use soft and slightly wet lens cloth or lens paper to wipe up.

2. AF does not work properly.

Please make sure that both the camera and lens are set to AF.

3. Communication Error When Lens is Mounted on Camera.

Please make sure the lens is mounted properly; Please check if the lens contacts and camera contacts are soiled or scratched, if it is soiled, please use soft cloth to wipe up, if it is scratched, please return for repair.

4. Other Problems

Please try turning off the camera and taking out the camera battery, then put back the battery, try rebooting the camera. If problems still exist, please contact YONGNUO after-sale service center at 400-001-3888 or email to service@hkyongnuo.com for enquiry.

Specification

Focal Length	11mm	
Angle of view	Diagonal	105°
	Vertical	76°
	Horizontal	94°
Lens Mount	E Mount	
Lens Frame	APS-C	
Lens Construction	10 elements in 9 groups	
Aperture Blades	7	
Minimum Aperture	F/16	
Minimum Focusing Distance	0.15m	
Maximum Magnification	0.15x	
Driving System	Digital stepper motor	
Remote control distance	About 30m	
Filter Diameter	58mm	
Max. Diameter × Length	About φ66×69mm	
Weight	About 260g	

■ The lens length refers to the distance from the mounting side to the lens front end.

■ Unless special stated, the dimension and weight is only suitable for lens.

■ The Aperture can be specified by the camera.

The electronic edition of this user manual can be acquired from <https://www.hkyongnuo.com/xzyzc>.

The function and data listed in this manual are acquired according to YONGNUO testing conditions. The design and specification are subject to change without notice.