

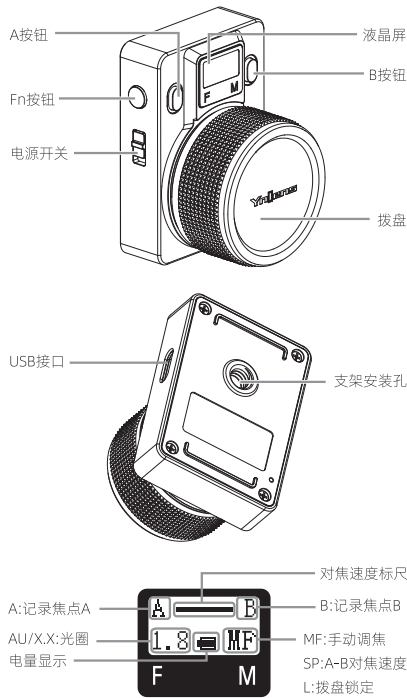
# BR-L1

## 镜头遥控器

### 感谢您购买永诺产品!

在使用本产品前, 请务必先仔细阅读本手册, 以确保您能正确、安全使用。请妥善保管好本手册, 以便日后能随时查阅。

### 部件说明



### 快速攻略

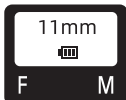
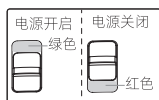
如果您没有足够时间阅读整本说明书, 请阅读本章节内容。

- 滑动【电源】开关, 看到红色标识为电源关闭, 看到绿色标识为电源开启。
- 开机后, 长按【拨盘】约2秒进入配对模式。
- 短按【拨盘】可循环切换功能项目: 手动调焦 (MF) → 光圈 (F) → A-B对焦速度 (SP) → 锁定【拨盘】 (L) → 手动调焦 (MF)。
- 转动【拨盘】调整已选择的功能项目参数, 如光圈、A-B对焦速度、手动调焦。
- 长按【A】按钮记录对焦点A, 长按【B】按钮记录对焦点B。
- 短按【A】或【B】按钮, 镜头焦点将移动到相应位置。
- 遥控器上【Fn】按钮所能实现的功能与镜头上【Fn】按钮保持一致。
- 使用过程中请务必确保遥控器与镜头已完成配对, 并且镜头已开启无线遥控功能。

### 电源

滑动【电源】开关, 看到红色标识为电源关闭, 看到绿色标识为电源开启。

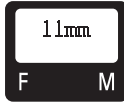
开机后, 液晶屏将显示电池电量和最近一次所配镜头的信息, 操作任意按键即可进入遥控操作界面。当电池电量较低时, 液晶屏将出现低电提示, 请尽快充电。遥控器通过USB线连接电源适配器可进行充电。本产品支持边充电边使用。电池电量耗尽后, 使用5V/500mA的充电输入为电池充满电约需要1.5小时。



### 配对

遥控器首次与镜头配套使用, 需先进行配对。配对方法如下:

- 将镜头按指定操作进入配对模式, 具体方法请参阅镜头说明书。
- 开启遥控器电源。
- 长按遥控器上的【拨盘】, 直至进入配对模式 (进入配对模式后, 液晶屏显示“Pairing”)。当接收到镜头的配对请求后, 遥控器将自动进行配对。
- 若配对成功, 遥控器液晶屏将显示“XXmm” (“XX”表示此次配对镜头的焦距), 此时短按【拨盘】即可进入遥控操作界面。
- 若在指定时间内没有收到配对请求, 或其他因素导致配对失败, 遥控器液晶屏将显示“FAIL”, 此时请关闭电源, 重新按照步骤1~3进行操作。



配对成功



配对失败

### 远程调整光圈

通过遥控器可以实现远程调整光圈, 具体操作如下:

- 将相机的拍摄模式设为手动拍摄模式或光圈优先模式。
- 连续短按【拨盘】, 直至液晶屏的光圈被突出显示。
- 转动【拨盘】, 调整光圈。
- 当“F”上方光圈显示为“AU”, 表示此时光圈将受控于相机机身。
- 遥控器的光圈可范围跟最后一次配对的镜头的光圈范围保持一致。镜头的光圈调整范围请参阅镜头说明书。



### 远程手动调焦

通过遥控器可以实现远程手动调焦, 具体操作如下:

- 将相机设置成手动调焦 (MF)。
- 连续短按【拨盘】, 直至液晶屏显示“MF”。
- 转动【拨盘】手动调整对焦。

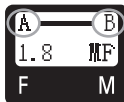


### 遥控A-B对焦

预先记录A、B焦点位置, 可遥控镜头在两点间平滑的来回切换焦点。

操作方法:

- 将相机的对焦模式设为MF。
- 将A位置物体对清晰, 长按【A】按钮1秒以上记录焦点A。焦点A被成功记录后, 液晶屏左上角将显示字母“A”。
- 将B位置物体对清晰, 长按【B】按钮1秒以上记录焦点B。焦点B被成功记录后, 遥控器液晶右上角将显示字母“B”。
- 短按【A】或【B】按钮, 镜头焦点将移动到相应位置。
- 同时按住【A】和【B】按钮, 可删除已记录好的焦点位置。



### A-B对焦速度调整

在进行A-B对焦时, 可以根据拍摄需求调整两点间的对焦移动速度。操作方法:

- 连续短按【拨盘】, 直至液晶屏显示“SP”。
- 转动【拨盘】调整对焦速度。
- 液晶屏上的速度指示标尺越长表示对焦速度越快, 标尺越短表示对焦速度越慢。
- 对焦速度调整仅对A-B对焦有效。



### 关于【拨盘】锁定

使用此功能可防止设定好的设置被意外更改。设置方法: 连续短按【拨盘】, 直至<M>上方液晶屏显示“L”, 此时【拨盘】转动操作将被锁定。



### Fn按钮

通过遥控器上的【Fn】按钮, 可实现与镜头上【Fn】一样的自定义功能。合理分配【Fn】按钮可快速调出相机的某一功能菜单或执行某一快捷操作 (如眼部AF、开启或关闭视频录制、AF/MF控制切换等)。Fn自定义功能设置需要镜头和相机支持, 更多详细操作请参阅镜头和相机说明书。

### 固件升级

本产品支持固件升级, 可前往永诺官网 [www.hkyongnuo.com](http://www.hkyongnuo.com) 下载最新固件。使用前请更新至最新固件, 以提升使用体验。升级方法:

- 关闭遥控器电源。
- 保持按住【B】按钮不放开并开启电源, 直至液晶屏显示“FM”。
- 通过USB线与电脑连接 (USB线需要另外购买)。
- 在电脑上找到U盘“DFU-MODE”。
- 将下载好的固件文件复制并粘贴到“DFU-MODE”盘根目录。
- 等待电脑复制完成。
- 建议在拷贝完成后继续等待30秒后再断开USB线, 以确保升级成功。



### 常见问题

#### 1. 遥控器无法遥控镜头。

请确保遥控器和镜头已完成配对; 请确保镜头已开启了无线遥控功能; 请确保镜头在有效遥控范围内。

#### 2. 转动【拨盘】操作无效或所改参数不是自己所要的功能。

请确保当前功能显示区已选中需要调整的功能。

#### 3. 开机时遥控器上显示的焦距与正在遥控的镜头焦距不一致。

遥控器支持与多个镜头配对, 遥控器上的焦距显示将与最后一次配对的镜头焦距保持一致。

### 规格

USB输入: DC 5V 0.5A  
有效遥控距离: 约30m  
工作温度: 0°C至+45°C  
尺寸: 36×51×33mm  
净重: 48g

本说明书最新电子版可在永诺官方网站 <http://www.hkyongnuo.com/zyzc> 获取。

本使用说明书中的功能及数据均是依据本公司的测试条件获得。设计和规格如有变更, 恕不另行通知。

深圳市永诺电器有限公司  
地址: 深圳市坪山区坑梓街道秀新社区锦绣东路14号A1栋209A座A2栋2-5楼  
电话: (86)0755-33001023  
售后电话: 400-001-3888  
网址: [www.hkyongnuo.com](http://www.hkyongnuo.com)  
邮箱: [service@hkyongnuo.com](mailto:service@hkyongnuo.com)  
生产地址: 深圳市坪山区坑梓街道锦绣中路14号深福保现代光学厂区A栋厂房

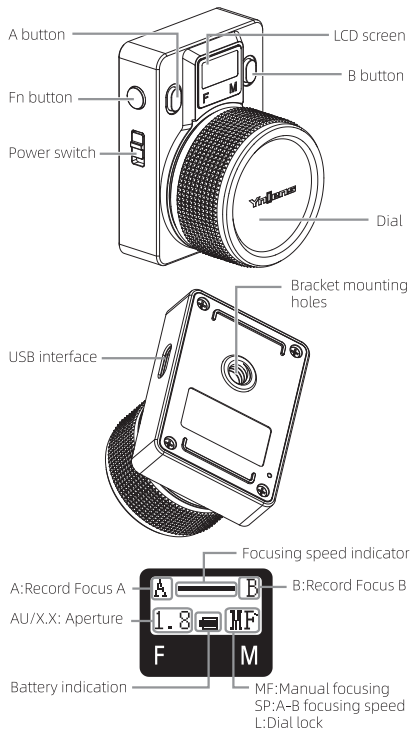


# BR-L1

## LENS REMOTE CONTROL

**Thank you for purchasing Yongnuo products !**  
Please read this manual carefully before use to ensure safe and proper use of this model. Please keep this manual properly for easy reference in the future.

### Nomenclature



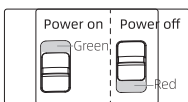
### Quick guide

If you don't have enough time to read the entire manual, read this section.

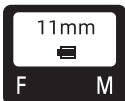
- Slide the [power] switch. If the red sign appears, the power is off; if the green sign appears, the power is on.
- After powering on, press and hold [Dial] for about 2 seconds to enter pairing mode.
- Short press the [Dial] to select the function to be set: Manual Focus (MF) → Aperture (F) → A-B Focus Speed (SP) → Lock [Dial] (L) → Manual Focus (MF).
- Turn the [Dial] to adjust the selected function parameters, such as aperture, A-B focusing speed, and manual focusing.
- Press and hold the [A] button to record the focus of position A, press and hold the [B] button to record the focus of position B.
- Short press [A] or [B] button, the lens focus will automatically change to the corresponding point.
- The [Fn] button on the remote control can achieve the same function as the [Fn] button on the lens.
- Please make sure that the remote control and the lens have been paired and that the lens has been turned on for wireless remote control.

### Power management

Slide the [power] switch, see the red sign for power off, see the green sign for power on. After turning on the power, the LCD screen will display the battery level and the information of the last paired lens. You can enter the remote control interface by pressing any button.



When the battery level is low, the LCD screen will show a low power prompt, please charge it as soon as possible. The remote control can be charged by connecting the



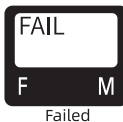
power adapter via a USB cable. This product can be used while charging. The battery takes 1.5 hours to charging input of 5V/500mA.

### Pairing

If the remote control is used with the lens for the first time, it must be paired first. The pairing method is as follows:

- The lens enters the pairing mode according to the specified method, refer to the lens manual for the specific method.
- Power on the remote control.
- Press and hold the [Dial] on the remote control until it enters pairing mode (after entering pairing mode, the LCD screen will display "Pairing"). When a pairing request is received for the lens, the remote control will automatically pair.

- If the pairing is successful, the LCD screen of the remote control will display "XXmm" ("XX" indicates the focal length of the paired lens), and then short press the [Dial] to enter the remote control operation interface.
- If the pairing fails, the LCD screen of the remote control will display "FAIL", please turn off the power and follow steps 1~3 again.



### Adjust the aperture

The aperture can be adjusted remotely through the remote control as follows:

- Set the camera's shooting mode to manual shooting mode or aperture priority mode.
  - Short press the [dial] until the aperture is displayed on the LCD screen.
  - Turn the [dial] to adjust the aperture.
- When the aperture above "F" is displayed as "AU", it means that the aperture will be controlled by the camera.
  - The aperture adjustment range of the remote control is the same as the aperture range of the last paired lens. Please refer to the lens manual for the aperture adjustment range of the lens.



### Remote focusing

Remote manual focus adjustment can be achieved through the remote control, and the specific operation is as follows:

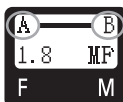
- Set the camera to manual focus (MF).
- Short press the [dial] until the LCD screen displays "MF".
- Turn the [Dial] to adjust the focus.



### Remote control A-B focusing

Pre-record the focus of position A and B, and the remote control lens can move the focus smoothly between two points. Operation method:

- Set the camera's focus mode to MF.
  - Manually adjust the object at A to clarity, then press and hold the [A] button for more than 1 second to record focus A. After Focus A is successfully recorded, the LCD screen will display the letter "A".
  - Manually adjust the object at B to clarity, then press and hold the [B] button for more than 1 second to record focus B. After Focus B is successfully recorded, the LCD screen will display the letter "B".
  - After saving the A and B focus, press the [A] or [B] button to move the focus of the lens to the corresponding position.
- Press and hold the [A] and [B] buttons at the same time to delete the recorded focus position.



### Adjust the focus speed

When using the A-B focus function, you can adjust the focus movement speed. Operation method:

- Short press [Dial] until the LCD screen displays "SP".
  - Turn the [Dial] to adjust the focusing speed.
- When adjusting the focus movement speed, the focusing speed indicator ruler on the LCD screen will change in real

time, the longer the ruler means the faster the focusing speed, and the shorter the ruler means the slower the focusing speed.

- Focus speed adjustment is only valid for A-B focus.



### About the dial lock function

Short press the [Dial] until the LCD screen displays "L", then the rotation operation of [dial] will be locked. Use this function to prevent the set settings from being accidentally changed.



### Fn button

Through the [Fn] button on the remote control, you can achieve the same customization function as the [Fn] on the lens. Assign the [Fn] button to quickly bring up a function menu of the camera or perform a quick action (such as eye AF, turning on or off video recording, AF/MF control switching, etc.). The Fn custom function setting requires lens and camera support, please refer to the lens and camera manual for more details.

### Firmware upgrades

This product supports firmware upgrade, you can go to [www.hkyongnuo.com](http://www.hkyongnuo.com) to download the latest firmware. It is recommended to update to the latest firmware before using the remote control to ensure a better user experience. Upgrade Method:

- Turn off the power of the remote control.
  - Keep holding the [B] button and turn on the power until the LCD screen shows "FM".
  - Connect to the computer via a USB cable (USB cable needs to be purchased separately).
  - Find the USB flash drive "DFU-MODE" on your computer.
  - Copy and paste the downloaded firmware file into the root directory of the "DFU-MODE" disk.
  - Wait for the computer to complete the copy.
- It is recommended to wait for 30 seconds after the copy is completed before disconnecting the USB cable to ensure that the upgrade is successful.



### Frequently asked questions

- The remote control cannot control the lens.**  
Make sure the remote control and lens are paired. Make sure the radio remote control function of the lens is turned on. Make sure it is within effective remote control range.
- Turning the [Dial] is invalid or the changed parameter is not the function you want.**  
Make sure that the function that needs to be adjusted is selected in the current function display area.
- The focus length displayed on the remote control is inconsistent with the focus segment of the lens being controlled.**  
The remote control supports pairing with multiple lenses, and the focal length display on the remote control will be the same as the focal length of the last paired lens.

### Specification

USB input: DC 5V 0.5A  
Remote control distance: about 30m  
Operating temperature: 0°C to +45°C  
Dimensions: About 36x51x33mm  
Weight: About 48g

The electronic edition of this user manual can be acquired from <https://www.hkyongnuo.com/zycz>. The function and data listed in this manual are acquired according to Yongnuo testing conditions. The design and specification are subject to change without notice.

Shenzhen YONGNUO Electronic Equipment Co., Ltd.  
Add: Room 209 Building A1&F/2-5, Building A2, Block A, No.14 Jinxiu East Road, Xiuxin Community, Kengzi Street, Pingshan District, Shenzhen  
Tel: (86)0755-33001023 Service Tel: 400-001-3888  
E-mail: service@hkyongnuo.com Web: www.hkyongnuo.com