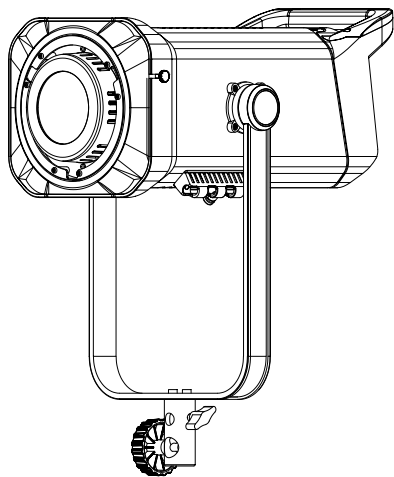


YONGNUO

YNLUX300 Bi-COLOR

YNLUX300 RGB

摄像机
Pro LED Video Light



使用说明书
User Manual

中文
English

前言

感谢您使用永诺产品！

在使用产品前，请认真阅读使用说明书，并妥善保管以便将来查看。

注意事项

1. 请保管好本产品，请勿让儿童接触，勿放置在儿童活动之处。
2. 请在有人员看管时使用本产品，无人员看管时应断电产品。
3. 在使用产品前，请确认电源电压和本产品所标识的电压是否符合。
4. 建议使用永诺提供的原厂线缆或出售的配件。
5. 产品接通电源线时，请妥当放置电源线，避免绊倒人员或拉扯造成断电，勿放置在高温或潮湿表面。
6. 产品运行时，请勿遮挡散热孔，以免散热效果差从而损坏产品。
7. 产品运行时，强光源照射，切勿直视灯珠，以免引起眼睛不适。
8. 产品运行时，灯珠处于发热状态，切勿触摸，以免造成烫伤。
9. 当产品出现高温报警时，请检查风扇是否出现故障。
10. 产品应保持干燥环境下使用，产品没有防水防火性能，避免在高温、雨天、潮湿、多尘等恶劣环境下使用。
11. 请勿在化学品、可燃性气体、易燃易爆的环境下使用产品。
12. 产品存放前，请关机断电，拔出电源线，等待产品完全冷却后，存放至便携包或干燥环境。
13. 请勿使用已损坏的电源线，以及摔落出现开裂的产品。
14. 产品不防摔，请小心使用，避免掉落或承受重击。
15. 在清洁产品前，确保产品断电状态，请使用干软布进行清洁。
16. 请勿私自拆卸产品，如出现故障须本公司或授权维修人员处理。

中文

产品规格

型号	YNLUX300 BI-COLOR	YNLUX300 RGB
光源	LED	LED
色温版本	2700K-6500K	2000K-10000K+G/M+全彩RGB
额定功率	CCT (色温) : 恒功率300瓦	CCT (色温) : 恒功率300瓦 RGB: 150瓦
外接电源	36V  9.16A	
APP 蓝牙控制	≤50米	
2.4G 无线控制	≤100米	
产品尺寸	43.5*24*15.5厘米	
平均寿命	50000小时	

物料清单

包装尺寸：55*25*48厘米。

所含物品：摄像灯（1）、电源适配器（1）、电源线（1）、标准罩（1）、便携箱（1）、说明书（1）。

注：如有缺失请与经销商联系。

亮度测试数据表

YNLUX300 Bi-COLOR

色温	照度		裸灯	普通标准罩
	距离			
2700K	1米	10200lux	26100lux	
	2米	2900lux	6030lux	
	3米	1520lux	2760lux	
3200K	1米	11100lux	28500lux	
	2米	3140lux	6560lux	
	3米	1630lux	3000lux	
5600K	1米	12300lux	31200lux	
	2米	3430lux	7200lux	
	3米	1780lux	3290lux	
6500K	1米	11600lux	29600lux	
	2米	3250lux	6830lux	
	3米	1680lux	3120lux	

*以上测试为平均值，不同灯的亮度有微小差异。

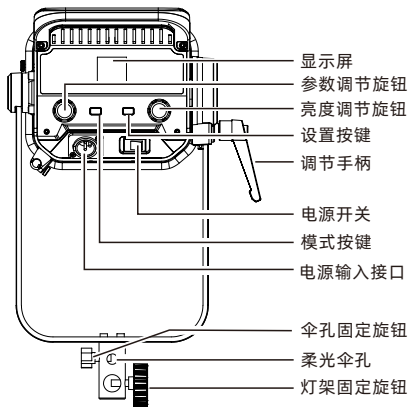
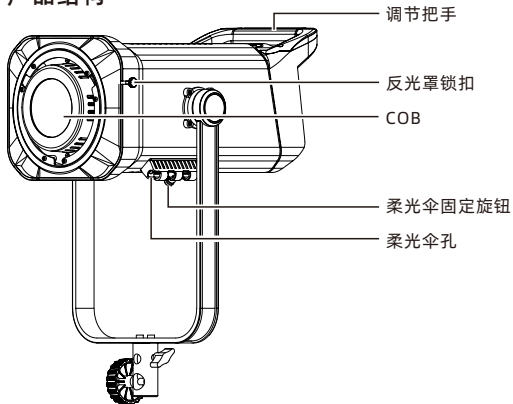
中文

YNLUX300 RGB

色温	照度		裸灯	普通标准罩
	距离			
2700K	1米	8700lux	24900lux	
	2米	2420lux	5550lux	
	3米	1270lux	2540lux	
3200K	1米	10000lux	28900lux	
	2米	2790lux	6600lux	
	3米	1450lux	2980lux	
5600K	1米	11100lux	31800lux	
	2米	3030lux	7010lux	
	3米	1580lux	3200lux	
6500K	1米	10600lux	30300lux	
	2米	2900lux	6700lux	
	3米	1520lux	3070lux	
R	1米	1300lux	2000lux	
	2米	350lux	498lux	
	3米	189lux	235lux	
G	1米	2560lux	4060lux	
	2米	683lux	940lux	
	3米	351lux	451lux	
B	1米	932lux	1720lux	
	2米	248lux	385lux	
	3米	128lux	180lux	

*以上测试为平均值，不同灯的亮度有微小差异。

产品结构

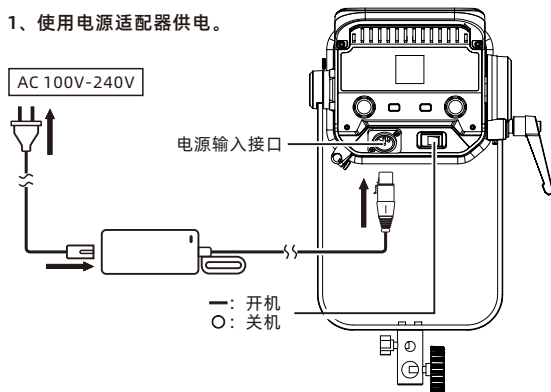


-5-

中文

安装与使用

1、使用电源适配器供电。

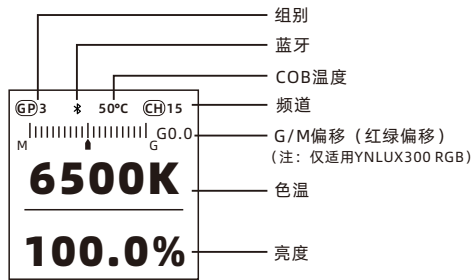


2、按《Mode》键切换进入色温设置。

CCT: 按下<CCT>旋钮切换色温、G/M, 旋转<CCT>旋钮调节参数。

INT: 按下<INT>旋钮切换0.10%或20%调节, 旋转旋钮调节参数。

(注: YNLUX300 Bi-COLOR 没有G/M模式)



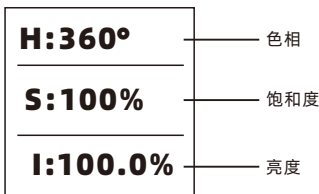
-6-

3、按《Mode》键切换进入彩色设置。

CCT: 按下<CCT>旋钮切换色相(H)、饱和度(S), 旋转<CCT>旋钮调节参数。

INT: 按下<INT>旋钮切换0.10%或20%调节, 旋转旋钮调节参数。

(注: 仅适用YNLUX300 RGB)



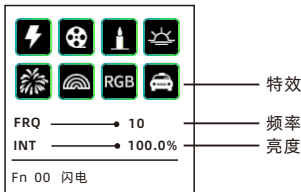
4、按《Mode》键切换进入特效设置。

CCT: 旋转<CCT>旋钮选择特效, 按下<CCT>旋钮可暂停或开始特效。

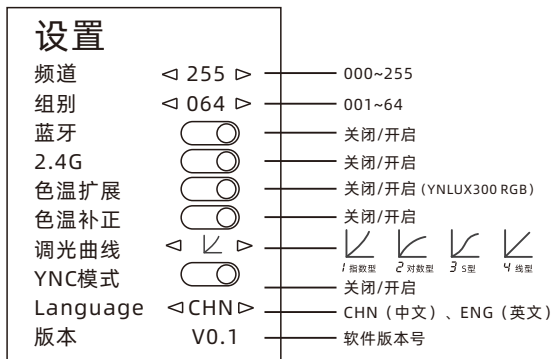
INT: 按下<INT>旋钮切换频率或亮度, 旋转<INT>旋钮调节参数。

YNLUX300 Bi-COLOR: 特效 0-11

YNLUX300 RGB: 特效 0-30



5、按《Menu》键进入设置界面。



频道: 共256个控制频道可选择。

组别: 多个灯编成一组, 可分64组控制。

蓝牙: APP蓝牙连接, 实现连接控制。

2.4G: 灯与灯之间的2.4G连接控制; 2.4G遥控器连接控制摄像灯。

色温扩展: 开启后, 色温2700-6500K扩展到2000-10000K。

(注: 仅适用YNLUX300 RGB)

色温校正: 开启后色温更加精准, 关闭后色温更宽广。

调光曲线: 四种专业级调光曲线模型设置。

YNC模式: 可通过承诺APP实现, 让复杂的舞台灯光编排工作简单化。

Language: 可选择中文、英文显示界面。

版本: 持续升级, 更新版本, 需通过APP连接摄像灯升级。

本手册中的功能是依据本公司的测试条件获得, 设计和规格如有变更, 恕不另行通知。

Introduction


Thank you for using YONGNUO products!
Please read this manual carefully before using the product and keep it properly for future reference.

Precautions

1. Please keep product away from children, do not place it in the children's activity area.
2. Please use this product under supervision, and power off when unsupervised.
3. Before use, please check whether the power voltage fits the voltage marked on the product.
4. It is recommended to use the original cables or accessories provided or sold by YONGNUO.
5. When the power cord is connected, please place it properly to avoid tripping people or blackout, and do not place it on the hot or damp surface.
6. When the product runs, please do not cover the dissipation hole to avoid product damage due to poor dissipation performance.
7. When the product runs, do not look straight at the lamp beads to avoid eyes discomfort due to strong lights.
8. When the product runs, lamp beads are at the heating state, do not touch it to avoid burning.
9. When high-temperature warning occurs, please check whether the fan is faulty.
10. Use this product in dry environment. This product is not waterproof or fireproof. Do not use it in hot, rainy, damp or dusty environment.
11. Do not use this product near chemicals, flammable gases, inflammables and explosives.

12. Before storing the product, please turn off the power, unplug the power cord, wait for the product to cool down completely, and store it in a portable bag or a dry environment.
13. Please do not use the damaged power cord or the cracked product caused by falling off.
14. This product is not fall-proof, please use it carefully to avoid falling down or getting heavy hit.
15. Before cleaning the product, please ensure that the power is turned off, and please use a dry soft cloth for cleaning.
16. Please do not disassemble the product by yourself. In case of failure, problems shall be handled by the company or authorized maintenance personnel.

Product specification

Model	YNLUX300 Bi-COLOR	YNLUX300 RGB
Light Source	LED	LED
Color temperature version	2700K-6500K	2000K-10000K +G/M +full color RGB
Output power	CCT: Constant power 300W	CCT: Constant power 300W RGB: 150W
External power source	36V  9.16A	
APP Bluetooth control	≤50m	
2.4G wireless control	≤100m	
Product Net Size	43.5*24*15.5cm	
Average Service Life	50000H	

Check list

Package Dimensions: 55*25*48cm

Contents: Video light (1) , Power adapter (1) , power line (1) , Standard reflector cover (1) , Portable case (1) , User Manual (1) .

Note: Please contact your dealer if anything missing.

Photometrics

YNLUX300 Bi-COLOR

Color temperature	Illumination		Single light	Standard reflector cover
	Distance			
2700K	1m		10200lux	26100lux
	2m		2900lux	6030lux
	3m		1520lux	2760lux
3200K	1m		11100lux	28500lux
	2m		3140lux	6560lux
	3m		1630lux	3000lux
5600K	1m		12300lux	31200lux
	2m		3430lux	7200lux
	3m		1780lux	3290lux
6500K	1m		11600lux	29600lux
	2m		3250lux	6830lux
	3m		1680lux	3120lux

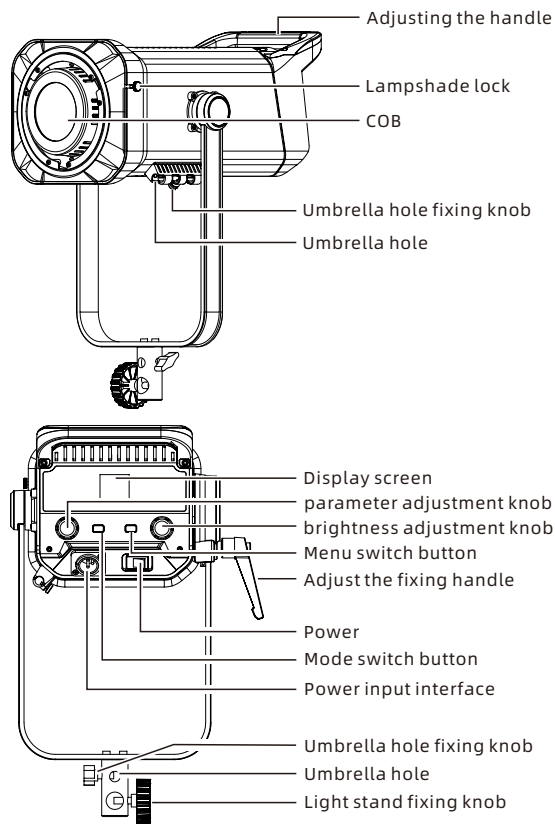
* This is an averaged result, the number might be slightly different on each light.

YNLUX300 RGB

Color temperature	Illumination		Single light	Standard reflector cover
	Distance			
2700K	1m	8700lux	24900lux	
	2m	2420lux	5550lux	
	3m	1270lux	2540lux	
3200K	1m	10000lux	28900lux	
	2m	2790lux	6600lux	
	3m	1450lux	2980lux	
5600K	1m	11100lux	31800lux	
	2m	3030lux	7010lux	
	3m	1580lux	3200lux	
6500K	1m	10600lux	30300lux	
	2m	2900lux	6700lux	
	3m	1520lux	3070lux	
R	1m	1300lux	2000lux	
	2m	350lux	498lux	
	3m	189lux	235lux	
G	1m	2560lux	4060lux	
	2m	683lux	940lux	
	3m	351lux	451lux	
B	1m	932lux	1720lux	
	2m	248lux	385lux	
	3m	128lux	180lux	

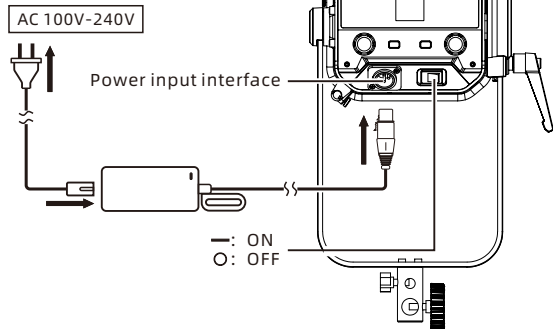
* This is an averaged result, the number might be slightly different on each light.

Product structure



Installation and use

1. Powered by power adapter.

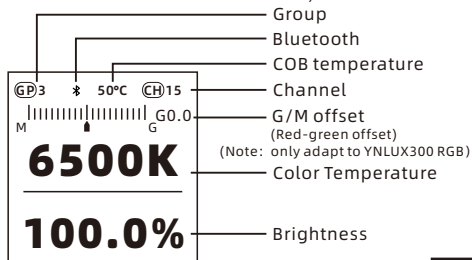


2. Press the «Mode» button to switch and enter the color temperature setting.

CCT: Press the <CCT> knob to switch between color temperature and G/M, rotate the <CCT> knob to adjust the parameters.

INT: Press the <INT> knob to switch between 0.10% or 20% adjustment amplitude, and rotate the knob to adjust the parameters.

(Note: YNLUX300 Bi-COLOR doesn't have G/M mode)

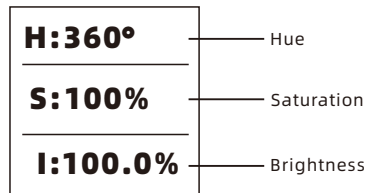


3. Press the 'Mode' button to switch to color settings.

CCT: Press the <CCT> knob to switch between hue (H) and saturation (S), rotate the <CCT> knob to adjust the parameters.

INT: Press the <INT> knob to switch between selecting frequency or brightness, Rotate the <INT> knob to adjust parameters.

(Note: only adapt to YNLUX300 RGB)



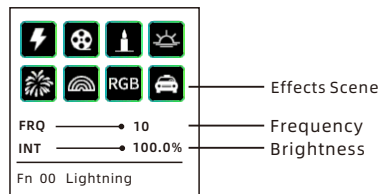
4. Press the «Mode» button to switch to the special effects settings.

CCT: Rotate the <CCT> knob to select special effects, press the <CCT> knob to pause or start the special effects.

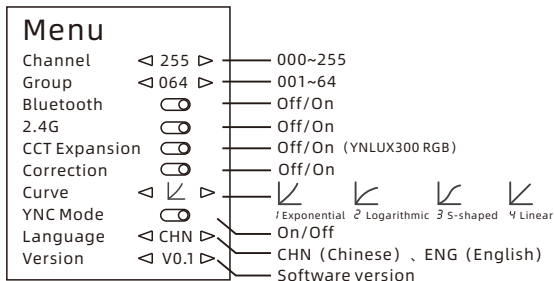
INT: Press the <INT> knob to switch between selecting frequency or brightness, Rotate the <INT> knob to adjust parameters.

YNLUX300 Bi-COLOR: Effects Scene 0~11

YNLUX300 RGB: Effects Scene 0~30



5、Press the 《Menu》 button to enter the settings interface.



Channel: 256 control channels.

Group: Multiple lights can be edited into a group, supporting up to 64 control groups.

Bluetooth: Supports APP Bluetooth connection for wireless control.

2.4G: 2.4G: 2.4G connection control between Video lights, 2.4G remote control connected to control Video lights.

CCT Expansion: When this function is turn on, the color temperature 2700-6500K will be extended to 2000-10000K. (Note: only adapt to YNLUX300 RGB)

Correction: After turning on this function, the color temperature will be more accurate, the color temperature will be wider when turn off this function.

curve : 4 kinds of professional-grade dimming curve models settings.

YNC Mode: With YONGNUO APP, complex stage lighting arrangements can be achieved easily.

Language: Chinese and English.

Version: We will continue to update the software version, and you need to connect the camera light through the APP to complete the upgrade.

The functions of this manual are based on test conditions of our company.

Further notice will not be given if the design and specifications change.

制造商：深圳市永诺电器有限公司

Manufacturer: Shenzhen YONGNUO Electronic Equipment Co., Ltd.

制造商地址：深圳市坪山区坑梓街道秀新社区锦绣东路14号A1栋209 A座A2栋2-5楼

Manufacturer Address: Room 209 Building A1&F/2-5, Building A2, Block A, No.14 Jinxiu East Road, Xiuxin Community, Kengzi Street, Pingshan District, Shenzhen.

电话/Tel: (86)0755-3300 1023

售后电话/After-Sale Service Tel: 400-001-3888

网址/Web: www.hkyongnuo.com

执行标准：Q/YNDQ 001



APP 下载

APP Download



永诺官网

YONGNUO Web

YONGNUO

产品保修卡 Warranty Card

用户名 User Name			
联系电话 Phone			
邮编 Zip Code			
地址 Address			
产品型号 Product Model	购买日期 Purchase Date		
故障说明 Failure Description			



