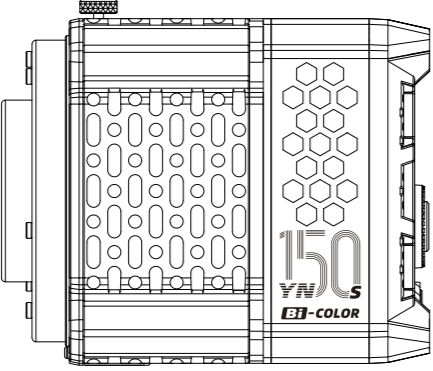


折后正面

正面
中文

YONGNUO

YN150S Bi
摄像机



使用说明书

前言
感谢您使用永诺产品！
在使用产品前，请认真阅读使用说明书，并妥善保管以便将来查看。

- 注意事项**
1. 请保管好本产品，请勿让儿童接触，勿放置在儿童活动之处。
 2. 请在有人看管时使用本产品，无人看管时应断电产品。
 3. 在使用产品前，请确认电源电压和本产品所标识的电压是否符合。
 4. 建议使用永诺提供的原厂线缆或出售的配件。
 5. 产品接通电源线时，请妥当放置电源线，避免绊倒人员或拉扯造成断电，勿放置在高温或潮湿表面。
 6. 产品运行时，请勿遮挡散热孔，以免散热效果差从而损坏产品。
 7. 产品运行时，强光源照射，切勿直视灯珠，以免引起眼睛不适。
 8. 产品运行时，灯珠处于发热状态，切勿触摸，以免造成烫伤。
 9. 当产品出现高温报警时，请检查风扇是否出现故障。
 10. 产品应保持干燥环境下使用，产品没有防水防火性能，避免在高温、雨天、潮湿、多尘等恶劣环境下使用。
 11. 请勿在化学品、可燃性气体、易燃易爆的环境下使用产品。
 12. 产品存放前，请关机断电，拔出电源线，等待产品完全冷却后，存放至便携包或干燥环境。
 13. 请勿使用已损坏的电源线，以及掉落出现开裂的产品。
 14. 产品不防摔，请小心使用，避免掉落或承受重击。
 15. 在清洁产品前，确保产品断电状态，请使用干软布进行清洁。
 16. 请勿私自拆卸产品，如出现故障须本公司或授权维修人员处理。

-1-

产品规格

光源	LED
色温版本	15瓦-120瓦：2700K-6500K, 150瓦：3200K-5600K
额定功率	恒功率150瓦（色温变化，功率不变）
外接电源	DC 24V \approx 6.25A, 接口尺寸 ϕ 5.5*2.1mm
摄像灯尺寸	10.9*8.8*8.8厘米
平均寿命	50000小时

物料清单

单灯版
所含物品：摄像灯（1）、说明书（1）。
注：如有缺失请与经销商联系。

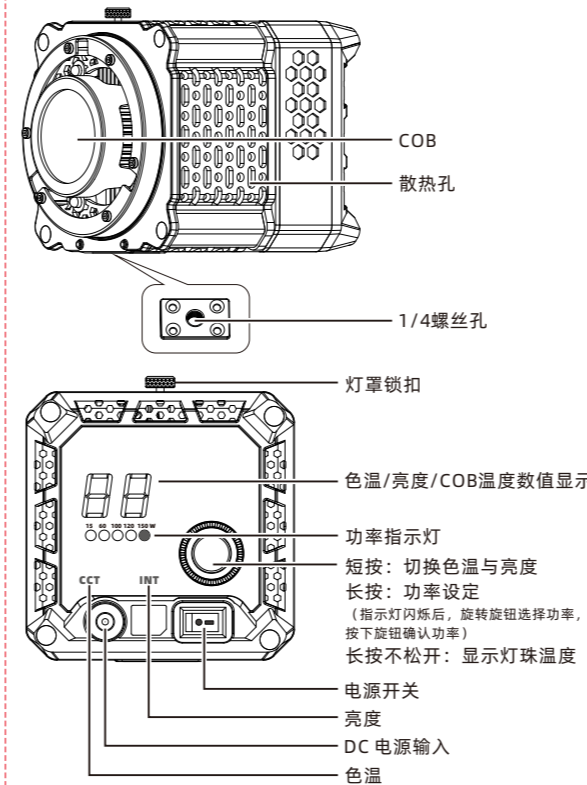
亮度测试数据表

双色温	距离	照度	
		裸灯	标准罩
150瓦 3200K	1米	4300lux	14200lux
	2米	1190lux	3300lux
	3米	615lux	1500lux
150瓦 5600K	1米	5020lux	16900lux
	2米	1390lux	3940lux
	3米	715lux	1780lux

*以上测试为平均值，不同灯的亮度有微小差异。

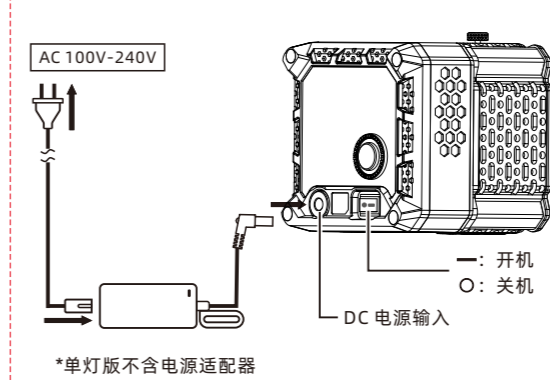
-2-

产品结构



-3-

使用电源适配器供电



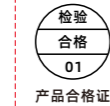
本使用说明书中的功能是根据本公司的测试条件获得的。设计和规格如有变更，恕不另行通知。

制造商：深圳市永诺电器有限公司
 制造商地址：深圳市坪山区坑梓街道秀新社区锦绣东路14号A1栋
 209 A座A2栋2-5楼
 电话：(86)0755-3300 1023
 售后电话：400-001-3888
 网址：www.hkyongnuo.com
 执行标准：Q/YNDQ 001

-4-

产品保修卡/Warranty Card

用户名称 User Name	
联系电话 Phone	
邮编 Zip Code	
地址 Address	
产品型号 Product Model	
购买日期 Purchase Date	
故障说明 Failure Description	



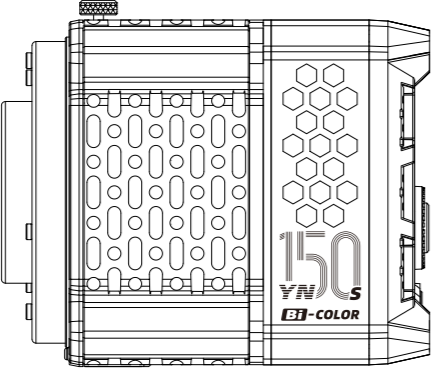
永诺官网
YONGNUO Web

折后背面

背面
英文

YONGNUO

YN150S Bi
Pro LED Video Light



User Manual

Introduction

Thank you for using YONGNUO products!
Please read this manual carefully before using the product and keep it properly for future reference.

Precautions

1. Please keep product away from children, do not place it in the children's activity area.
2. Please use this product under supervision, and power off when unsupervised.
3. Before use, please check whether the power voltage fits the voltage marked on the product.
4. It is recommended to use the original cables or accessories provided or sold by YONGNUO.
5. When the power cord is connected, please place it properly to avoid tripping people or blackout, and do not place it on the hot or damp surface.
6. When the product runs, please do not cover the dissipation hole to avoid product damage due to poor dissipation performance.
7. When the product runs, do not look straight at the lamp beads to avoid eyes discomfort due to strong lights.
8. When the product runs, lamp beads are at the heating state, do not touch it to avoid burning.
9. When high-temperature warning occurs, please check whether the fan is faulty.
10. Use this product in dry environment. This product is not waterproof or fireproof. Do not use it in hot, rainy, damp or dusty environment.
11. Do not use this product near chemicals, flammable gases, inflammables and explosives.

-5-

12. Before storing the product, please turn off the power, unplug the power cord, wait for the product to cool down completely, and store it in a portable bag or a dry environment.
13. Please do not use the damaged power cord or the cracked product caused by falling off.
14. This product is not fall-proof, please use it carefully to avoid falling down or getting heavy hit.
15. Before cleaning the product, please ensure that the power is turned off, and please use a dry soft cloth for cleaning.
16. Please do not disassemble the product by yourself. In case of failure, problems shall be handled by the company or authorized maintenance personnel.

Product specification

Light Source	LED
Color temperature version	15W-120W: 2700K-6500K, 150W: 3200K-5600K
Rated power	Constant power 150W (Color temperature changes with power unchanged)
External power source	DC 24V \approx 6.25A, Interface size, ϕ 5.5*2.1mm
Product Net Size	10.9*8.8*8.8CM
Average Service Life	50000H

-6-

Check list

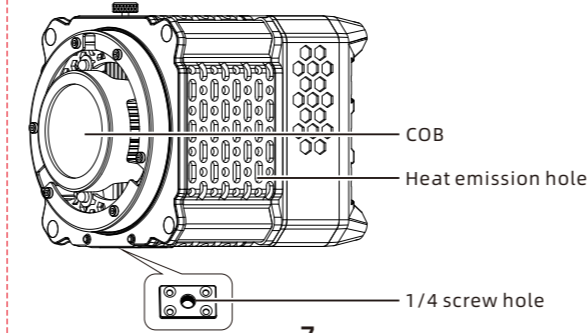
Single light version
Contents: Video light (1), User Manual (1).
Note: Please contact your dealer if anything missing.

Photometrics

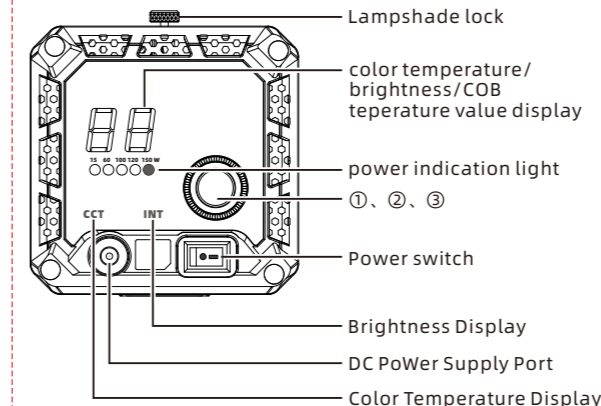
Bi-color temperature version	Distance	Illuminance	
		Bare lamp	Standard Reflector
150W 3200K	1m	4300lux	14200lux
	2m	1190lux	3300lux
	3m	615lux	1500lux
150W 5600K	1m	5020lux	16900lux
	2m	1390lux	3940lux
	3m	715lux	1780lux

* This is an averaged result, the number might be slightly different on each light.

Product structure



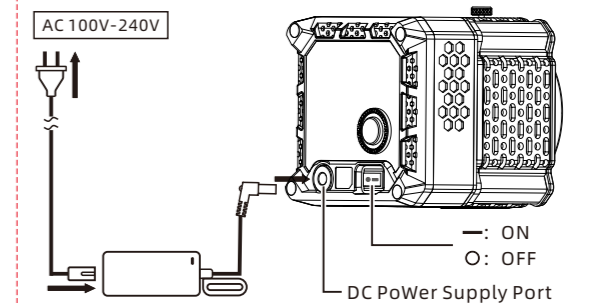
-7-



- ①. short press: switch between color temperature and brightness.
- ②. long press: power setting. (When the indication light flicks, rotate the knob to select power, and press the knob to confirm.)
- ③. long press without releasing: shows the temperature of lamp beads.

-8-

Powered by power adapter



*The power adapter is not included in the single light version.

The functions of this manual are based on test conditions of our company. Further notice will not be given if the design and specifications change.

Manufacturer: Shenzhen YONGNUO Electronic Equipment Co., Ltd.
 Manufacturer Address: Room 209 Building A1&F/2-5, Building A2, Block A, No.14 Jinxiu East Road, Xiuxin Community, Kengzi Street, Pingshan District, Shenzhen.
 Tel: (86)0755-3300 1023
 After-Sale Service Tel: 400-001-3888
 Web: www.hkyongnuo.com

-9-

红色线为折线