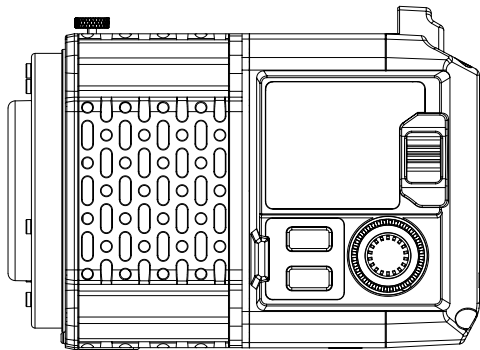


YONGNUO

YN150 Ultra Bi

YN150 Ultra RGB

摄 像 灯
Pro LED Video Light



使用说明书
User Manual

中文
English

前言

感谢您使用永诺产品！

在使用产品前，请认真阅读使用说明书，并妥善保管以便将来查看。

注意事项

1. 请保管好本产品，请勿让儿童接触，勿放置在儿童活动之处。
2. 请在有人员看管时使用本产品，无人看管时应断电产品。
3. 在使用产品前，请确认电源电压和本产品所标识的电压是否符合。
4. 建议使用永诺提供的原厂线缆或出售的配件。
5. 产品接通电源线时，请妥当放置电源线，避免绊倒人员或拉扯造成断电，勿放置在高温或潮湿表面。
6. 产品运行时，请勿遮挡散热孔，以免散热效果差从而损坏产品。
7. 产品运行时，强光源照射，切勿直视灯珠，以免引起眼睛不适。
8. 产品运行时，灯珠处于发热状态，切勿触摸，以免造成烫伤。
9. 当产品出现高温报警时，请检查风扇是否出现故障。
10. 产品应保持干燥环境下使用，产品没有防水防火性能，避免在高温、雨天、潮湿、多尘等恶劣环境下使用。
11. 请勿在化学品、可燃性气体、易燃易爆的环境下使用产品。
12. 产品存放前，请关机断电，拔出电源线，等待产品完全冷却后，存放至便携包或干燥环境。
13. 请勿使用已损坏的电源线，以及摔落出现开裂的产品。
14. 产品不防摔，请小心使用，避免掉落或承受重击。
15. 在清洁产品前，确保产品断电状态，请使用干软布进行清洁。
16. 请勿私自拆卸产品，如出现故障须本公司或授权维修人员处理。

中文

产品规格

型号	YN150 Ultra Bi	YN150 Ultra RGB
光源	LED	LED
色温版本	2700K-6500K	2000K-10000K+G/M+全彩RGB
功率	恒功率 150瓦	恒功率 CCT (色温): 150瓦 RGB (彩色): 60瓦
(灯体自带供电接口) DC	DC 24V $\overline{\text{---}}$ 6.25A, 接口尺寸 ϕ 5.5*2.1mm 	
(灯体自带供电接口) USB-C	符合PD协议, 兼容PD3.1; 15-28V $\overline{\text{---}}$ \geq 3A (45瓦-140瓦)	
(灯体自带供电接口) 工具电池	21伏时, 最大功率 150瓦	
APP 蓝牙控制	\leq 50米	
2.4G 无线控制	\leq 100米	
产品尺寸	13.2*9.9*9.6厘米	
平均寿命	50000小时	

物料清单

单灯版

所含物品: 摄像灯 (1)、说明书 (1)。

套装版

所含物品: 摄像灯 (1)、电源适配器 (1)、电源线 (1)、
NP-F系列电池手柄 (1)、硅胶柔光罩 (1)、
标准罩 (1)、便携箱 (1)、说明书 (1)。

注: 如有缺失请与经销商联系。

亮度测试数据表

YN150 Ultra Bi

色温	照度	裸灯	5寸MINI反光罩 (型号: MINI55)	YN150 Ultra MINI反光罩 (型号: YN-MINI-55-F3)
	距离			
2700K	1米	5970 lux	16000 lux	11600 lux
	2米	1680 lux	3850 lux	3010 lux
	3米	813 lux	1720 lux	1390 lux
3200K	1米	6410 lux	17900 lux	13100 lux
	2米	1770 lux	4210 lux	3360 lux
	3米	886 lux	1930 lux	1570 lux
5600K	1米	7110 lux	20000 lux	14700 lux
	2米	1940 lux	4710 lux	3680 lux
	3米	980 lux	2150 lux	1750 lux
6500K	1米	6740 lux	18900 lux	13900 lux
	2米	1830 lux	4410 lux	3470 lux
	3米	927 lux	2020 lux	1640 lux

*以上测试为平均值，不同灯的亮度有微小差异。

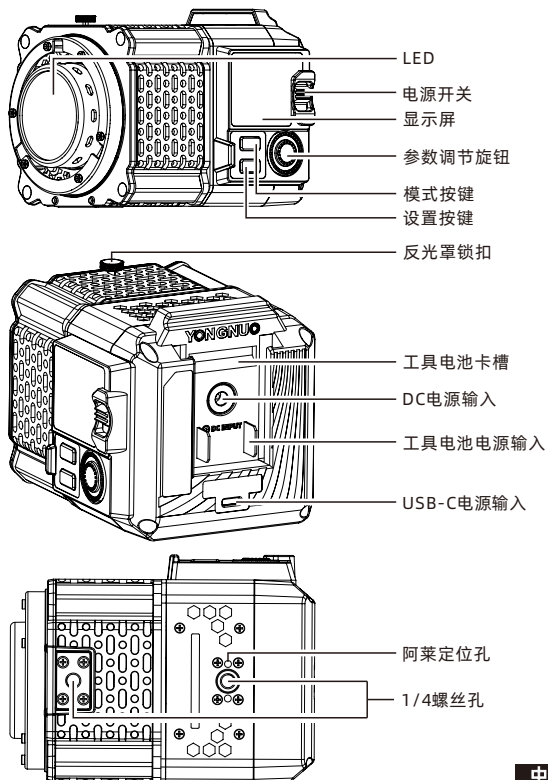
中文

YN150 Ultra RGB

色温	照度	裸灯	5寸MINI反光罩 (型号: MINI55)	YN150 Ultra MINI反光罩 (型号: YN-MINI-55-F3)
	距离			
2700K	1米	5040 lux	13900 lux	10000 lux
	2米	1380 lux	3270 lux	2530 lux
	3米	700 lux	1470 lux	1190 lux
3200K	1米	5620 lux	15500 lux	11200 lux
	2米	1520 lux	3630 lux	2830 lux
	3米	765 lux	1640 lux	1320 lux
5600K	1米	6680 lux	18400 lux	13400 lux
	2米	1800 lux	4320 lux	3360 lux
	3米	906 lux	1950 lux	1570 lux
6500K	1米	6500 lux	17900 lux	13000 lux
	2米	1750 lux	4190 lux	3260 lux
	3米	880 lux	1890 lux	1520 lux
R	1米	831 lux	2570 lux	1830 lux
	2米	240 lux	618 lux	472 lux
	3米	116 lux	268 lux	215 lux
G	1米	2120 lux	6050 lux	4380 lux
	2米	570 lux	1400 lux	1090 lux
	3米	286 lux	632 lux	510 lux
B	1米	568 lux	1590 lux	1150 lux
	2米	152 lux	369 lux	285 lux
	3米	77 lux	165 lux	133 lux

*以上测试为平均值，不同灯的亮度有微小差异。

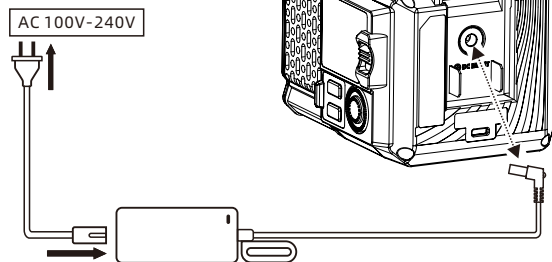
产品结构



安装与使用

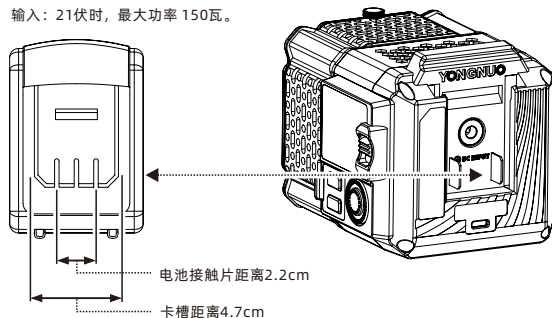
1、使用电源适配器供电。

输入：24~36伏时，最大功率150瓦；
19~23伏时，最大功率120瓦；
15~18伏时，最大功率60瓦。

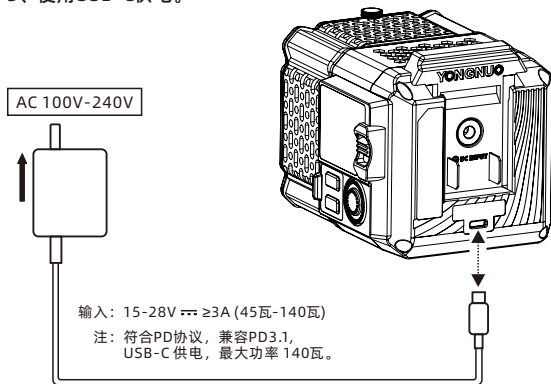


2、使用工具电池供电。

输入：21伏时，最大功率150瓦。



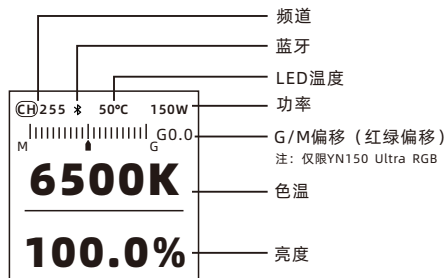
3、使用USB-C供电。



4、色温设置。

模式：按下“模式”键切换进入色温设置。

旋钮：按下“旋钮”切换选择色温与亮度，长按“旋钮”选择红绿偏移，旋转“旋钮”调节参数。



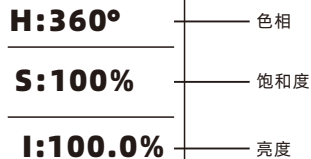
中文

5、彩色设置。

模式：按下“模式”键切换进入彩色设置。

旋钮：按下“旋钮”旋钮切换色相 (H)、饱和度 (S)、亮度 (I)，旋转“旋钮”调节参数。

注：仅限YN150 Ultra RGB



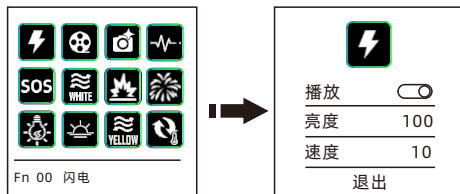
6、特效设置。

模式：按下“模式”键切换进入特效设置。

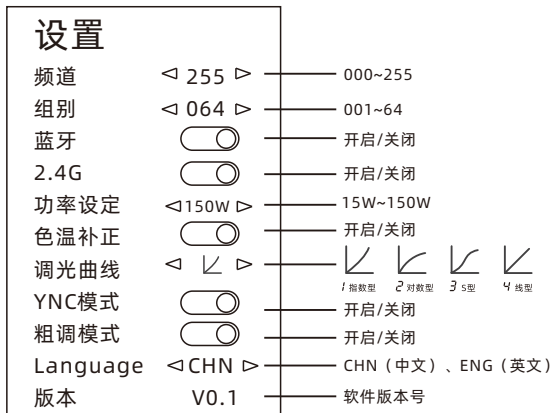
旋钮：旋转“旋钮”选择特效，按下“旋钮”进入控制界面。

Yn150 Ultra RGB: FX 0-30

Yn150 Ultra Bi: FX 0-11



7、按“模式”键进入设置界面。



频道：共256个控制频道可选择。

组别：多个灯编成一组，可分64组控制。

蓝牙：APP蓝牙连接，实现连接控制。

2.4G：灯与灯之间的2.4G连接控制；2.4G遥控器连接控制摄像头。

功率设定：15w~150w 多段可选功率，根据需要设定功率使用。

色温补正：开启后色温更加精准，关闭后色温更宽广。(注：仅限YN150 Ultra Bi)

调光曲线：四种专业级调光曲线模型设置。

YNC模式：可通过永诺APP实现，让复杂的舞台灯光编排工作简单化。

粗调模式：快速调节亮度、色温等参数。

Language：可选择中文、英文显示界面。

版本：持续升级，更新版本，需通过APP连接摄像头升级。

本手册中的功能是依据本公司的测试条件获得，设计和规格如有变更，恕不另行通知。

中文

Introduction

Thank you for using YONGNUO products!
Please read this manual carefully before using the product and keep it properly for future reference.

Precautions

1. Please keep product away from children, do not place it in the children's activity area.
2. Please use this product under supervision, and power off when unsupervised.
3. Before use, please check whether the power voltage fits the voltage marked on the product.
4. It is recommended to use the original cables or accessories provided or sold by YONGNUO.
5. When the power cord is connected, please place it properly to avoid tripping people or blackout, and do not place it on the hot or damp surface.
6. When the product runs, please do not cover the dissipation hole to avoid product damage due to poor dissipation performance.
7. When the product runs, do not look straight at the lamp beads to avoid eyes discomfort due to strong lights.
8. When the product runs, lamp beads are at the heating state, do not touch it to avoid burning.
9. When high-temperature warning occurs, please check whether the fan is faulty.
10. Use this product in dry environment. This product is not waterproof or fireproof. Do not use it in hot, rainy, damp or dusty environment.
11. Do not use this product near chemicals, flammable gases, inflammables and explosives.

12. Before storing the product, please turn off the power, unplug the power cord, wait for the product to cool down completely, and store it in a portable bag or a dry environment.
13. Please do not use the damaged power cord or the cracked product caused by falling off.
14. This product is not fall-proof, please use it carefully to avoid falling down or getting heavy hit.
15. Before cleaning the product, please ensure that the power is turned off, and please use a dry soft cloth for cleaning.
16. Please do not disassemble the product by yourself. In case of failure, problems shall be handled by the company or authorized maintenance personnel.

Product specification

Model	YN150 Ultra Bi	YN150 Ultra RGB
Light Source	LED	LED
Color temperature version	2700K-6500K	2000K-10000K +G/M +full color RGB
power	Constant power: 150W	Constant power CCT: 150W RGB: 60W

(Built-in power supply interface) DC	DC 24V $\overline{\text{---}}$ 6.25A, Interface size, $\phi 5.5 \times 2.1 \text{ mm}$ $\ominus \bullet \oplus$
(Built-in power supply interface) USB-C	Compatible with PD charging protocol, supports PD3.1 15-28V $\overline{\text{---}}$ $\geq 3\text{A}$ (45W-140W Max)
(Built-in power supply interface) Tool battery	At 21V input, Maximum Power 150W
APP Bluetooth control	$\leq 50\text{m}$
2.4G wireless control	$\leq 100\text{m}$
Product Net Size	13.2*9.9*9.6cm
Average Service Life	50000H

Check list

Single light version

Contents: Video light (1), User Manual (1).

Kit version

Contents: Video light (1), Power adapter (1), power line (1), Battery handle (1), Silicone Diffuser (1), Standard reflector cover (1), Portable case (1), User Manual (1).

Note: Please contact your dealer if anything missing.

Photometrics

YN150 Ultra Bi

Color temperature	illumination	Single light	5 inches MINI Reflector cover (Model: MINI55)	YN150 Ultra MINI Reflector cover (Model: YN-MINI-55-F3)
	Distance			
2700K	1m	5970 lux	16000 lux	11600 lux
	2m	1680 lux	3850 lux	3010 lux
	3m	813 lux	1720 lux	1390 lux
3200K	1m	6410 lux	17900 lux	13100 lux
	2m	1770 lux	4210 lux	3360 lux
	3m	886 lux	1930 lux	1570 lux
5600K	1m	7110 lux	20000 lux	14700 lux
	2m	1940 lux	4710 lux	3680 lux
	3m	980 lux	2150 lux	1750 lux
6500K	1m	6740 lux	18900 lux	13900 lux
	2m	1830 lux	4410 lux	3470 lux
	3m	927 lux	2020 lux	1640 lux

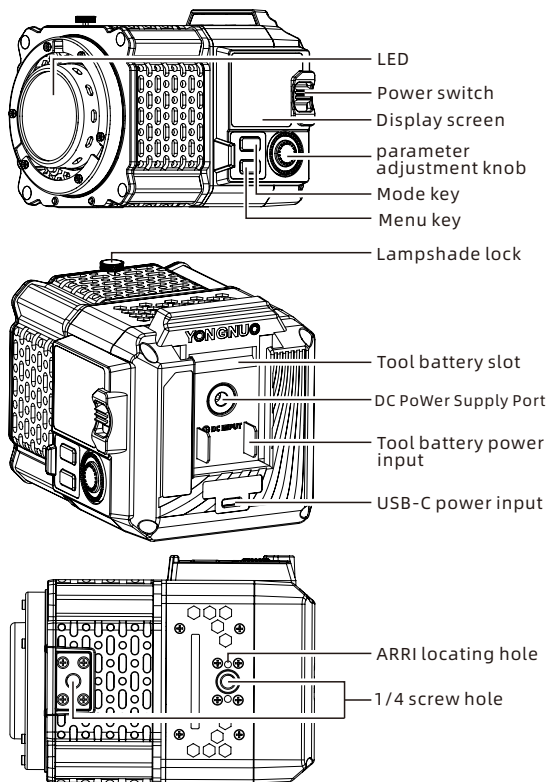
* This is an averaged result, the number might be slightly different on each light.

YN150 Ultra RGB

Color temperature	illumination	Single light	5 inches MINI Reflector cover (Model: MINI55)	YN150 Ultra MINI Reflector cover (Model: YN-MINI-55-F3)
	Distance			
2700K	1m	5040 lux	13900 lux	10000 lux
	2m	1380 lux	3270 lux	2530 lux
	3m	700 lux	1470 lux	1190 lux
3200K	1m	5620 lux	15500 lux	11200 lux
	2m	1520 lux	3630 lux	2830 lux
	3m	765 lux	1640 lux	1320 lux
5600K	1m	6680 lux	18400 lux	13400 lux
	2m	1800 lux	4320 lux	3360 lux
	3m	906 lux	1950 lux	1570 lux
6500K	1m	6500 lux	17900 lux	13000 lux
	2m	1750 lux	4190 lux	3260 lux
	3m	880 lux	1890 lux	1520 lux
R	1m	831 lux	2570 lux	1830 lux
	2m	240 lux	618 lux	472 lux
	3m	116 lux	268 lux	215 lux
G	1m	2120 lux	6050 lux	4380 lux
	2m	570 lux	1400 lux	1090 lux
	3m	286 lux	632 lux	510 lux
B	1m	568 lux	1590 lux	1150 lux
	2m	152 lux	369 lux	285 lux
	3m	77 lux	165 lux	133 lux

* This is an averaged result, the number might be slightly different on each light.

Product structure



-15-

English

Installation and use

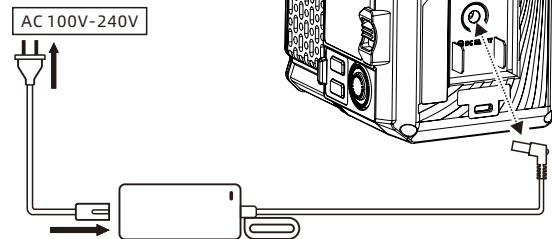
1、 Powered by power adapter.

Input voltage ranges and corresponding maximum power:

24-36V: 150w Max

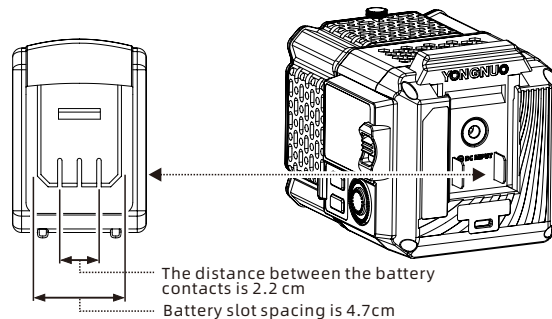
19-23V: 120w Max

15~18V: 60w Max



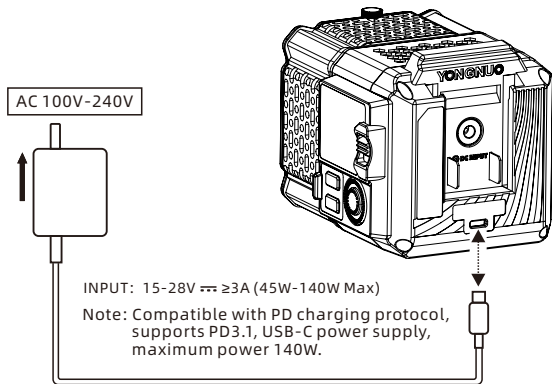
2、 Powered by tool battery.

INPUT: At 21V input, Maximum Power 150W



-16-

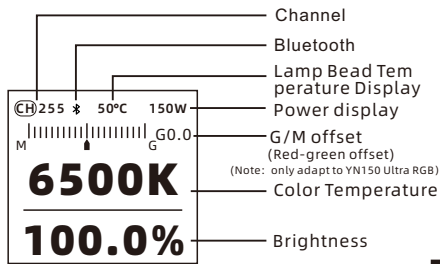
3、Use USB-C for power supply.



4、Color Temperature Setting.

Mode: Press the "Mode" button to switch to color temperature setting.

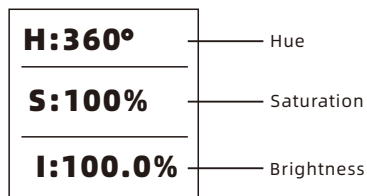
Knob: Press the knob to switch the color temperature and brightness, hold the knob to select Red/Green offset adjustment, rotate the knob to adjust the parameter.



5、Color settings.

Mode: Press the "Mode" button to switch to color settings. Knob: press the knob to switch hue and saturation, rotate the knob to adjust the parameter.

Note: only adapt to YN150 Ultra RGB



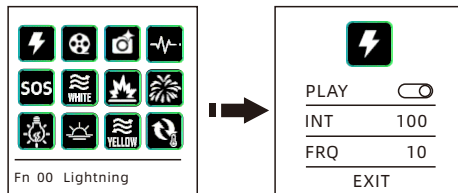
6、Effects Setting.

Mode: Press the "Mode" button to switch to special effect settings.

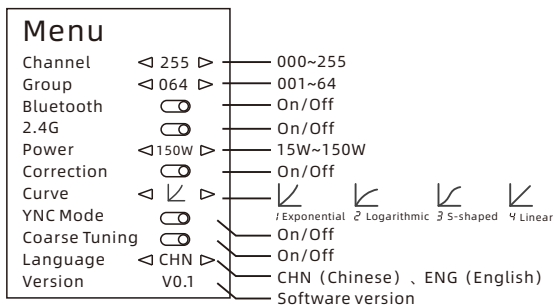
Knob: Rotate the "knob" to select special effects, and press the "knob" to enter the control interface.

YN150 Ultra RGB: FX 0-30

YN150 Ultra Bi: FX 0-11



7、Press the “Menu” button to enter the settings interface.



Channel: 256 control channels.

Group: Multiple lights can be edited into a group, supporting up to 64 control groups.

Bluetooth: Supports APP Bluetooth connection for wireless control.

2.4G: The lights support 2.4G wireless connection and can be controlled wirelessly through a 2.4G wireless remote control.

Power: Multiple optional power ranges from 15w to 150w, you can set the power according to your needs.

Correction: After turning on this function, the color temperature will be more accurate, the color temperature will be wider when turn off this function. (Note: only adapt to YN150 Ultra Bi)

curve : 4 kinds of professional-grade dimming curve models settings.

YNC Mode: With YONGNUO APP, complex stage lighting arrangements can be achieved easily.

Coarse Tuning: quickly adjust brightness, color temperature and other parameters.

Language: Chinese and English.

Version: We will continue to update the software version, and you need to connect the camera light through the APP to complete the upgrade.

The functions of this manual are based on test conditions of our company.
Further notice will not be given if the design and specifications change.

制造商：深圳市永诺电器有限公司

Manufacturer: Shenzhen YONGNUO Electronic Equipment Co., Ltd.

制造商地址：深圳市坪山区坑梓街道秀新社区锦绣东路14号A1栋209 A座A2栋2-5楼

Manufacturer Address: Room 209 Building A1&F/2-5, Building A2, Block A, No.14 Jinxiu East Road, Xiuxin Community, Kengzi Street, Pingshan District, Shenzhen.

电话/Tel: (86)0755-3300 1023

售后电话/After-Sale Service Tel: 400-001-3888

网址/Web: www.hkyongnuo.com

执行标准：Q/YNDQ 001



产品合格证



APP 下载

APP Download



永诺官网

YONGNUO Web

YONGNUO

产品保修卡
Warranty Card

用户名称 User Name			
联系电话 Phone			
邮编 Zip Code			
地址 Address			
产品型号 Product Model	购买日期 Purchase Date		
故障说明 Failure Description			