

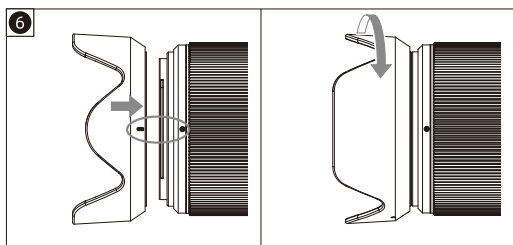
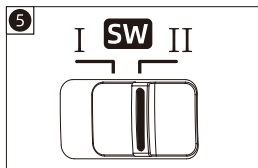
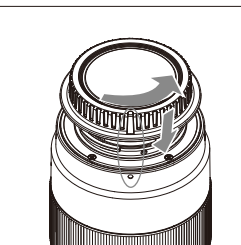
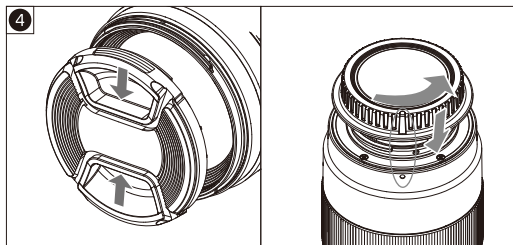
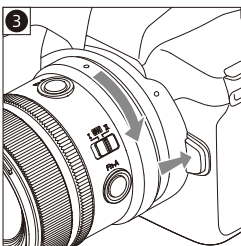
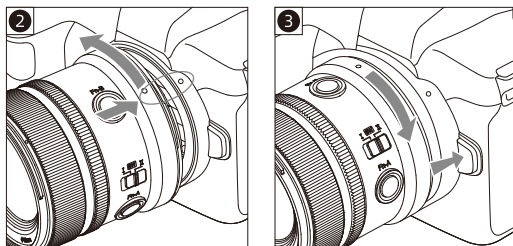
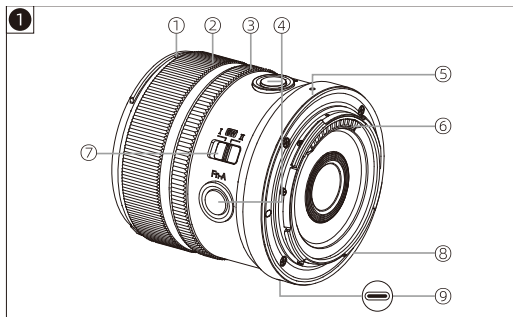
超 广 角 定 焦 镜 头 YN11mm F1.8Z DA DSM WL

for Z

使用说明书

感谢您购买永诺产品！

在使用本产品前，请务必先仔细阅读本手册，以确保您能正确、安全使用。请妥善保管好本手册，以便日后能随时查阅。
在无特殊说明的情况下，本说明书默认镜头已正常安装在相机上。
本说明书中的图示仅为示意图，请以实物为准。



安全注意事项

- 请勿透过镜头或相机观看太阳或明亮的光源，否则会使视力受损。
- 无论镜头是否装在相机上，请勿将没有盖镜头盖的镜头置于太阳下，否则镜头可能汇聚光线并引发火灾。不使用时请盖上镜头盖。
- 请将镜头放置在儿童接触不到的地方。
- 请勿自行拆开或改造镜头。

部件说明 ①

- | | | |
|----------|---------|--------|
| ①遮光罩安装标记 | ②手动对焦环 | ③控制环 |
| ④Fn多功能按钮 | ⑤镜头安装标记 | ⑥电子触点 |
| ⑦SW功能开关 | ⑧橡胶圈 | ⑨USB接口 |

安装与卸下镜头

详细安装及卸下镜头的步骤请参阅相机使用说明书。

安装镜头 ②

将镜头上的白色安装标志对准相机上的相同安装标志，然后以逆时针方向旋转镜头，直到听到“咔”的一声为止。

卸下镜头 ③

按下相机上的镜头释放按钮，顺时针方向转动镜头直至停止，然后卸下镜头。

- 卸下镜头后，请将镜头后端朝上放置，以避免划伤镜头表面和电子触点。
- 如果电子触点被弄脏或沾有指纹，请用柔软的布将其擦净。
- 取下镜头时，需要装上防尘盖 ④。请正确安装防尘盖：将防尘盖上的安装标记对准镜头上的相同安装标记，朝逆时针方向旋转。要取下镜头盖则朝顺时针方向旋转。

功能开关 ④

根据需求，可将镜头上的功能开关分配为对焦模式开关或者无线遥控开关使用。

1.作为对焦模式开关

a.分配方法：

- ①关闭相机电源；
- ②将镜头上的功能开关设为“II”；
- ③保持按住镜头上的Fn-A按钮不放，同时开启相机电源，直至相机屏幕显示光圈数值再松开Fn-A按钮。

b.成功将镜头上的功能开关分配为对焦模式开关后，设为“I”表示开启AF，设为“II”表示开启MF。

AF拍摄：将相机和镜头都设置为AF，可进行自动对焦。

MF拍摄：仅需将相机和镜头中的一个设为MF，或两者都设为MF，转动对手动对焦环进行对焦。

2.作为无线遥控开关

a.分配方法：

- ①关闭相机电源；
- ②将镜头上的功能开关设为“I”；
- ③保持按住镜头上的Fn-A按钮不放并开启相机电源，直至相机屏幕显示光圈数值。

b.成功将镜头上的功能开关分配为无线遥控开关后，设为“I”表示开启无线遥控功能，设为“II”表示关闭无线遥控功能。

远程遥控

本产品配合镜头遥控器BR-L1使用，可实现远程控制镜头手动对焦、光圈调整、A-B点对焦功能。详细远程遥控镜头的操作方法，请参考遥控器BR-L1说明书。

首次使用遥控器需先完成配对。镜头进入配对模式的方法：

- ①将相机光圈值设为F1.4，然后关闭相机电源；
 - ②将镜头上的功能开关设为“I”；
 - ③保持按住镜头上的Fn-A按钮并开启相机电源，直至相机光圈值强制跳变为F8（成功进入配对模式）再松开Fn-A按钮。
- 在使用远程遥控功能时，必须先将镜头上的功能开关分配为无线遥控开关，并将开关设为“I”。
 - 仅当镜头关闭无线遥控功能或遥控器上将光圈设为“AU”时，才允许通过相机机身控制光圈。

控制环

可在相机上将常用功能分配到控制环上，如光圈、ISO、曝光补偿等。更多详细操作请参阅相机说明书中“自定义控制功能”的相关说明。

Fn多功能按钮

通过相机上“L-Fn”自定义设置，可为镜头上的Fn-A和Fn-B按钮分配所需功能。合理分配Fn按钮可快速调出某一功能菜单或执行某一快捷操作，以减少翻找相机菜单的时间，提高创作效率。更多详细操作请参阅相机说明书中“自定义控制功能”的相关说明。

- 相机上的“L-Fn”和“L-Fn 2”分别对应本产品上的Fn-A和Fn-B按钮。

遮光罩 ⑥

安装遮光罩可以保护镜头和阻挡可能导致杂光或鬼影的散射光线。
安装：将遮光罩上的安装标记与镜头前端的安装标记对齐，然后顺时针转动遮光罩直至停止。

拆卸：逆时针旋转遮光罩直至停止，然后取下遮光罩。

- 遮光罩可反向安装以便存放。

- 遮光罩安装不当，可能会遮挡部分图像。
- 使用内置闪光灯或使用相机上安装的外部闪光灯时，建议取下遮光罩，以免挡住闪光灯光线。

滤光镜（需另购）

可在镜头前端的螺纹上安装一个直径58mm的滤光镜。

- 每次只能安装一个滤光镜。

USB供电

本产品可通过USB口连接电源供电，从而实现手动对焦，配合本公司遥控器BR-L1使用还能实现更多遥控功能。

固件升级

本产品支持固件升级，您可以登录永诺官方网站下载最新升级软件或固件文件。使用前，建议升级到最新固件以获取最佳使用体验。更多详细操作请参阅《固件更新操作指南》。

保养及存放注意事项

- 应避免撞击或直接放置在酷热、极冷或潮湿的环境下。
- 如果长期存放，请选择阴凉干爽及通风良好的地方。建议远离防虫丸或防虫丸发出气体的地方，以保护镜头的镀膜层。
- 镜片上的污垢或者指纹可用柔软微湿的镜头布或镜头纸清洁，切勿使用溶剂、苯或其他有机清洁剂。
- 本镜头并不防水，下雨或者接近水源使用时须特别小心，切勿弄湿。倘若内部机件、镜片及电子零件因弄湿受损，很可能无法维修。
- 温度突变可能会令镜头表面凝结雾气或水珠，因此在天气寒冷时进入暖和的室内环境，最好将镜头放在密封的塑胶袋内，直至镜头温度接近室温为止。将镜头从温暖的环境拿到寒冷的环境中时，也请使用同样的方法。

规格

镜头焦距		11mm
视角范围	对角线	105°
	垂直	76°
	水平	94°
卡口		Z卡口
画幅		APS-C
镜头结构		9组10片
光圈叶片		7片
最小光圈		F/16
最近对焦距离		0.15m
最大放大倍率		0.15x
驱动系统		数控步进马达
有效遥控距离		约30m
滤光镜直径		58mm
最大直径及长度		约φ68×70mm
重量		约290克

- 镜头长度是指从安装面到镜头前端的距离。
- 除特别说明外，尺寸和重量只适用于镜头。
- 光圈设置可以由相机指定。

本说明书最新电子版可在永诺官方网站<https://www.hkyongnuo.com/zxyzc>获取。

本使用说明书中的功能及数据均是依据本公司的测试条件获得。设计和规格如有变更，恕不另行通知。

深圳市永诺电器有限公司
地址：深圳市坪山区坑梓街道秀新社区锦绣东路14号A1栋209A座A2栋2-5楼
电话：(86)0755-33001023 网址：www.hkyongnuo.com
售后电话：400-001-3888 邮箱：service@hkyongnuo.com
生产地址：深圳市坪山区坑梓街道锦绣中路14号深福保现代光学厂区A栋厂房

ULTRA-WIDE ANGLE PRIME LENS YN11mm F1.8Z DA DSM WL

for Z

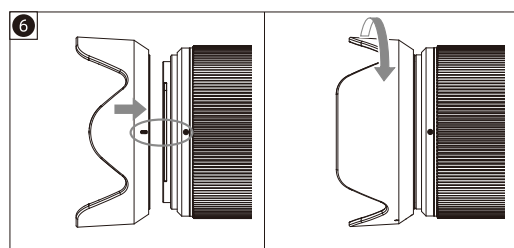
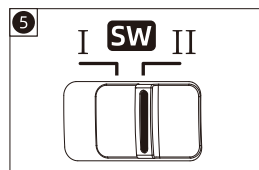
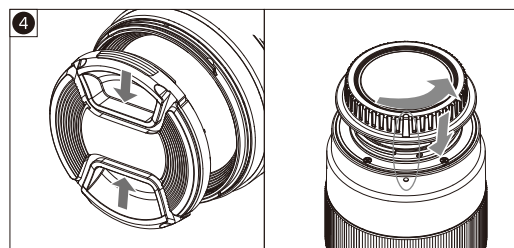
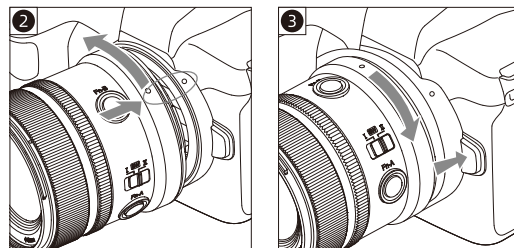
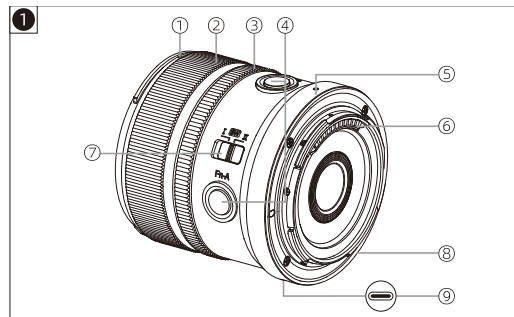
USER MANUAL

Thank you for purchasing Yongnuo product!

Before using the product, please read the instruction manual carefully to ensure that you use the product properly. Please keep the manual properly for future reference.

Unless otherwise specified, this manual defaults that the lens is installed on the camera normally.

The illustrations in this manual are for illustration only, please refer to the actual product.



Safety Precautions

- * Please do not look at the sun or bright light source through the lens or camera, otherwise it might cause visual impairment.
- * Whether the lens is mounted on the camera or not, please do not place the lens under the sun without lens cap covered, otherwise the lens might gather light and cause a fire. Please cover the lens with lens cap when not in use.
- * Please keep the lens out of reach from children.
- * Please do not disassemble or modify this product.

Nomenclature ①

- ① Lens hood mounting mark
- ② Focusing ring
- ③ Control ring
- ④ Fn Multi-function button
- ⑤ Mounting mark
- ⑥ Electronic contact
- ⑦ Function switch
- ⑧ Rubber ring
- ⑨ USB interface

Mounting and Detaching the Lens

For details on mounting and detaching the lens, please refer to your camera's user manual.

Mounting the Lens ②

Please align the white mounting mark on the lens with the same mounting mark on the camera, then rotate the lens anticlockwise until 'click' is heard.

Detaching the Lens ③

Press the lens release button on the camera, rotate the lens clockwise until stop, then detach the lens.

- * After detaching the lens, please place the lens with the rear end up to prevent lens and electronic contact from getting scratched. If the electronic contact gets dirty or contaminated with fingerprints, please clean them with soft cloth.

- * When detaching the lens, please cover it with dust cap ④. Please mount the dust cap properly: align the mounting mark on the dust cap with the same mounting mark on the lens, then rotate anticlockwise. If you need to detach the lens cap, rotate it clockwise.

Function Switch ⑤

According to the requirements, the function switch on the lens can be assigned to the focus mode switch or the wireless remote control switch.

1. As a focus mode switch

a. Setting method.

- ① Power off the camera.
- ② Set the function switch on the lens to "II".
- ③ Hold down the Fn-A button on the lens and turn on the camera power until the camera screen shows the aperture value.

b. After the function switch is assigned as the focus mode switch: set to "II" for MF, set to "I" for AF.

AF shooting: please set the focus mode of the camera and lens to AF for autofocus.

MF shooting: set the mode to MF on either the camera or the lens, or both, and turn the manual focus ring to focus.

2. As a wireless remote control switch

a. Setting method.

- ① Turn off the camera power.
- ② Set the lens function switch to "I".
- ③ Hold down the Fn-A button on the lens and turn on the camera power until the camera screen shows the aperture value.

b. When the function switch on the lens is designated as a wireless remote control function is enabled, and setting it to "II" means disabling the wireless remote control function.

Remote Control

This product is used with the lens remote control BR-L1, which can realize the functions of remote control lens focus, aperture adjustment, A-B point focus.

When using the remote control for the first time, complete the pairing first. To enter the pairing mode of the lens:

- ① Set the aperture to F1.4 on the camera first, and then power off the camera.
- ② Set the SW switch to "I".
- ③ Hold down the Fn button on the lens and immediately turn on the power of the camera until the camera aperture value is forced to F8 and illuminated, and then release the Fn button.

For more information on how to use the remote control, please refer to the remote control manual.

- * Before using the remote control function, you must define the function switch on the lens as the wireless switch and set the switch to "I".
- * Aperture control through the camera is allowed only when the wireless remote function of the lens is turned off or the aperture is set to "AU" in the remote.

Control Ring

The control ring can be assigned the functions that are commonly used with cameras, such as aperture, ISO, Exposure compensation. After finishing the settings, rotating the control ring can adjust the corresponding parameters. For more details on how to use the control ring, please refer to the camera manual.

Fn Button

The "L-Fn" custom settings on the camera allow you to assign the desired functions to the Fn-A and Fn-B buttons on the lens. Reasonably allocate the Fn button to quickly bring up a certain function menu or perform a shortcut operation, so as to reduce the time of rummaging through the camera menu and improve the creative efficiency. For more detailed operations, please refer to the instructions on "Custom Control assignment" in the camera manual.

- * "L-Fn" and "L-Fn 2" on the camera correspond to the Fn-A and Fn-B buttons on this product, respectively.

Lens Hood

Mounting lens hood can protect lens and block scattered rays which might cause stray light or ghosting.

Mounting : Align the mounting mark on the lens hood with the mounting mark on the front lens, then rotate the lens hood clockwise until stop.

Detaching : Rotate the lens hood anticlockwise until stop, then take down the hood.

- * The hood can be reverse-mounted on the lens for storage.
- * If the lens hood is mounted improperly, part of the picture may be blocked.
- * When using built-in-flash or on-camera flash, it is suggested to take out the hood so as not to block the flash light.

Filters(Sold Separately) ⑥

You can attach a filter in 58mm diameter to the filter mounting thread on the front of the lens.

- * Only one filter can be attached each time.

USB power supply

This product can be connected to the power supply through the USB port to achieve manual focusing, and can be used with the lens remote control BR-L1 to achieve more remote control functions.

Firmware Upgrade

This product supports firmware upgrade, please visit website <https://www.hkyongnuo.com/xzyzc> to download the latest upgrade software and firmware. Before use, we suggest you upgrade the lens to the latest firmware for the best user experience.

Upgrade method: Take the lens off the camera, connect the lens with the computer via the USB Type-C cord, start the upgrade software and complete the upgrade operations according to the software prompts.

Maintenance and Storage Precautions

- * Please avoid collision or placing the lens directly in extremely hot, cold and humid environment.
- * For long storage, please choose a cool, dry and well-ventilated place. Please keep away from pest control pills or places where the pest control pills give off gas, to protect the lens coating.
- * For cleaning the dirt or fingerprint, you can use soft and slightly wet lens cleaning cloth or lens paper, please do not use solvents, benzene or other organic cleaners.
- * This lens is not water-proof, please be careful when it rains or being placed near water source, please do not get it wet, if the inner parts, lens or electronic parts get damaged by damp, it may be unable to repair.
- * Temperature jump may result in condensation of mist and water-beads, therefore, when you get in a warm indoor environment in cold weather, you had better put the lens in sealed plastic bag to wait until the lens temperature is close to room temperature. Please do the same when the lens is taken from warm to cold environment.

Specification

Focal Length	11mm	
Angle of view	Diagonal	105°
	Vertical	76°
	Horizontal	94°
Lens Mount	Z Mount	
Lens Frame	APS-C	
Lens Construction	10 elements in 9 groups	
Aperture Blades	7	
Minimum Aperture	F/16	
Minimum Focusing Distance	0.15m	
Maximum Magnification	0.15x	
Driving System	Digital stepper motor	
Remote control distance	About 30m	
Filter Diameter	58mm	
Max. Diameter × Length	About φ68×70mm	
Weight	About 290g	

- The lens length refers to the distance from the mounting side to the lens front end.
- Unless special stated, the dimension and weight is only suitable for lens.
- The Aperture can be specified by the camera.

The electronic edition of this user manual can be acquired from <https://www.hkyongnuo.com/xzyzc>.

The function and data listed in this manual are acquired according to Yongnuo testing conditions. The design and specification are subject to change without notice.