

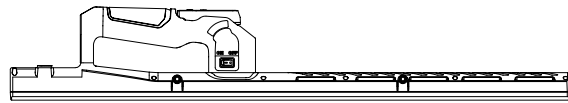
正面/中文

80.00 mm

YONGNUO

YN6C-360IV

摄像机 Pro LED Video Light



使用说明书 User Manual

前言

感谢您使用永诺产品！在使用产品前，请认真阅读使用说明书，并妥善保管以便将来查看。

注意事项

- 1.请保管好本产品，请勿让儿童接触，勿放置在儿童活动之处。
2.请在有人看管时使用本产品，无人看管时应断电产品。
3.在使用产品前，请确认电源电压和本产品所标识的电压是否符合。
4.建议使用永诺提供的原厂线缆或出售的配件。
5.产品接通电源线时，请妥当放置电源线，避免绊倒人员或拉扯造成断电，勿放置在高温或潮湿表面。
6.产品运行时，请勿遮挡散热孔，以免散热效果差从而损坏产品。
7.产品运行时，强光源照射，切勿直视灯珠，以免引起眼睛不适。
8.产品运行时，灯珠处于发热状态，切勿触摸，以免造成烫伤。
9.产品应保持干燥环境下使用，产品没有防水防火性能，避免在高温、雨天、潮湿、多尘等恶劣环境下使用。
10.请勿在化学品、可燃性气体、易燃易爆的环境下使用产品。
11.产品存放前，请关机断电，拔出电源线，等待产品完全冷却后，存放置便携包或干燥环境。
12.请勿使用已损坏的电源线，以及摔落出现开裂的产品。
13.产品不防摔，请小心使用，避免掉落或承受重击。
14.在清洁产品前，确保产品断电状态，请使用干软布进行清洁。
15.请勿私自拆卸产品，如出现故障须本公司或授权维修人员处理。

-1-

产品规格

光源: LED
额定功率: 24W
色温范围: 2700K-6500K + G/M、RGB全彩
DC: 12-24V, 接口尺寸φ5.5*2.1mm
USB-C: 9-20V, 符合PD协议, 兼容PD3.0
适用电池: NP-F系列
产品尺寸: 57*6*9.5cm
平均寿命: 50000小时

物料清单

所含物品: 摄像机(1)、说明书(1)。注: 如有缺失请与经销商联系。

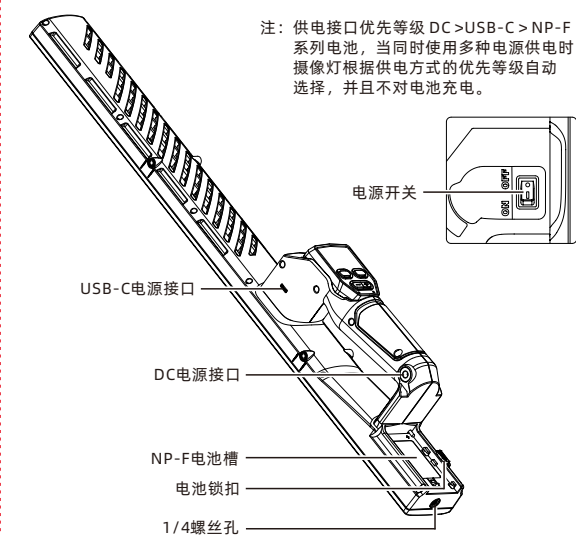
亮度测试数据表

Table with 4 columns: 照度, 距离, 0.3m, 0.5m, 1m. Rows include 3200K, 5600K, 6500K, R, G, B.

*以上测试为平均值, 不同灯的亮度有微小差异。

-2-

产品结构



注: 供电接口优先等级 DC>USB-C>NP-F 系列电池, 当同时使用多种电源供电时, 摄像机根据供电方式的优先级自动选择, 并且不对电池充电。

电源开关

USB-C电源接口

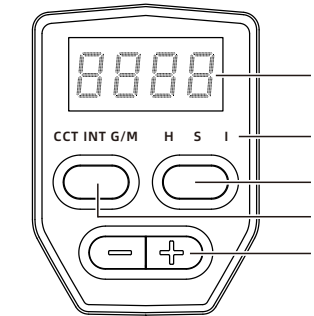
DC电源接口

NP-F电池槽

电池锁扣

1/4螺丝孔

-3-



- 1. 数码管: 显示参数
2. 模式指示灯: 字母亮起时, 此时数码管, 显示当前模式下的参数
3. RGB模式: 按下进入RGB模式, 短按切换H、S、I
H: 色相 S: 饱和度 I: 亮度
4. 色温模式: 按下进入色温模式, 短按切换CCT、INT, 长按切换到G/M
CCT: 色温 INT: 亮度 G/M: 红绿偏移
5. +、- 按键: 调节参数

本手册中的功能是依据本公司的测试条件获得, 设计和规格如有变更, 恕不另行通知。

-4-

Introduction

Thank you for using YONGNUO products! Please read this manual carefully before using the product and keep it properly for future reference.

Precautions

- 1. Please keep product away from children, do not place it in the children's activity area.
2. Please use this product under supervision, and power off when unsupervised.
3. Before use, please check whether the power voltage fits the voltage marked on the product.
4. It is recommended to use the original cables or accessories provided or sold by YONGNUO.
5. When the power cord is connected, please place it properly to avoid tripping people or blackout, and do not place it on the hot or damp surface.
6. When the product runs, please do not cover the dissipation hole to avoid product damage due to poor dissipation performance.
7. When the product runs, do not look straight at the lamp beads to avoid eyes discomfort due to strong lights.
8. When the product runs, lamp beads are at the heating state, do not touch it to avoid burning.
9. Use this product in dry environment. This product is not waterproof or fireproof. Do not use it in hot, rainy, damp or dusty environment.

-5-

折线

背面/英文

- 10. Do not use this product near chemicals, flammable gases, inflammables and explosives.
11. Before storing the product, please turn off the power, unplug the power cord, wait for the product to cool down completely, and store it in a portable bag or a dry environment.
12. Please do not use the damaged power cord or the cracked product caused by falling off.
13. This product is not fall-proof, please use it carefully to avoid falling down or getting heavy hit.
14. Before cleaning the product, please ensure that the power is turned off, and please use a dry soft cloth for cleaning.
15. Please do not disassemble the product by yourself. In case of failure, problems shall be handled by the company or authorized maintenance personnel.

Product specification

Light Source: LED
power: 24W
Color temperature range: 2700K-6500K+G/M、RGB full color
DC: 12-24V, Interface size, φ5.5*2.1mm
USB-C: 9-20V, Compatible with PD charging protocol, supports PD3.0
Applicable battery: NP-F Series
Product Net Size: 57*6*9.5cm
Average Service Life: 50000H

-6-

Check list

Single light version
Contents: Video light (1), User Manual (1).
Note: Please contact your dealer if anything missing.

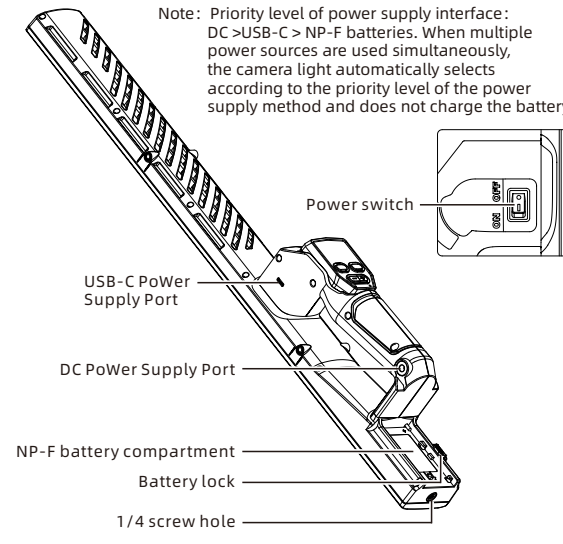
Photometrics

Table with 4 columns: Distance, 0.3m, 0.5m, 1m. Rows include 3200K, 5600K, 6500K, R, G, B.

* This is an averaged result, the number might be slightly different on each light.

-7-

Product structure



Note: Priority level of power supply interface: DC > USB-C > NP-F batteries. When multiple power sources are used simultaneously, the camera light automatically selects according to the priority level of the power supply method and does not charge the battery.

Power switch

USB-C Power Supply Port

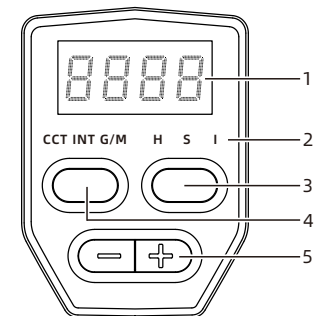
DC Power Supply Port

NP-F battery compartment

Battery lock

1/4 screw hole

-8-



- 1. Digital tube: Display parameters.
2. Mode Indicator: When the letter is lit, the digital tube will display the parameters of the current mode.
3. RGB mode: Press to enter RGB mode, short press to switch between H, S and I.
H: Hue S: Saturation I: Intensity
4. Color temperature mode: Press to enter color temperature mode, short press to switch between CCT and INT, long press to switch to G/M.
CCT: Color Temperature INT: Intensity G/M: Red-green offset
5. Plus/Minus buttons: Adjust parameters.

-9-

The functions of this manual are based on test conditions of our company. Further notice will not be given if the design and specifications change.

制造商: 深圳市永诺电器有限公司
Manufacturer: Shenzhen YONGNUO Electronic Equipment Co., Ltd.
制造商地址: 深圳市坪山区坑梓街道秀新社区锦绣东路14号A1栋209 A座A2栋2-5楼
Manufacturer Address: Room 209 Building A1&F/2-5, Building A2, Block A, No.14 Jinxiu East Road, Xiuxin Community, Kengzi Street, Pingshan District, Shenzhen.
电话/Tel: (86)0755-3300 1023
售后电话/After-Sale Service Tel: 400-001-3888
网址/Web: www.hkyongnuo.com
执行标准: Q/YNDQ 001

永诺官网 YONGNUO Web



产品合格证

-10-

YONGNUO

产品保修卡 Warranty Card

Warranty card form with fields for User Name, Contact Info, Address, Product Model, Failure Description, and Purchase Date.